

# CABINETS

Product  
Specification Guide

2026



**Snow White  
Shaker**



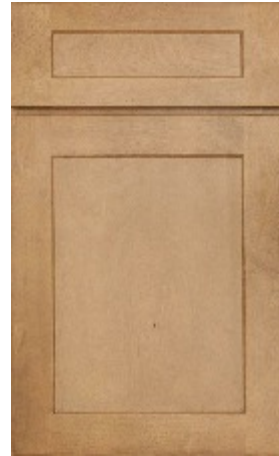
**Vanilla Cream  
Shaker**



**Frosted Oak  
Shaker**



**Autumn Ember  
Shaker**



**Autumn Ember  
Slim Shaker**



**Sage Mist  
Shaker**



**Gray Whisper  
Shaker**



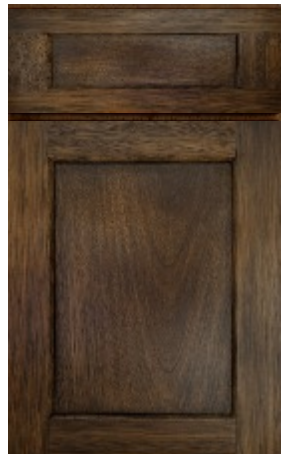
**Driftwood**



**Granite Haze  
Shaker**

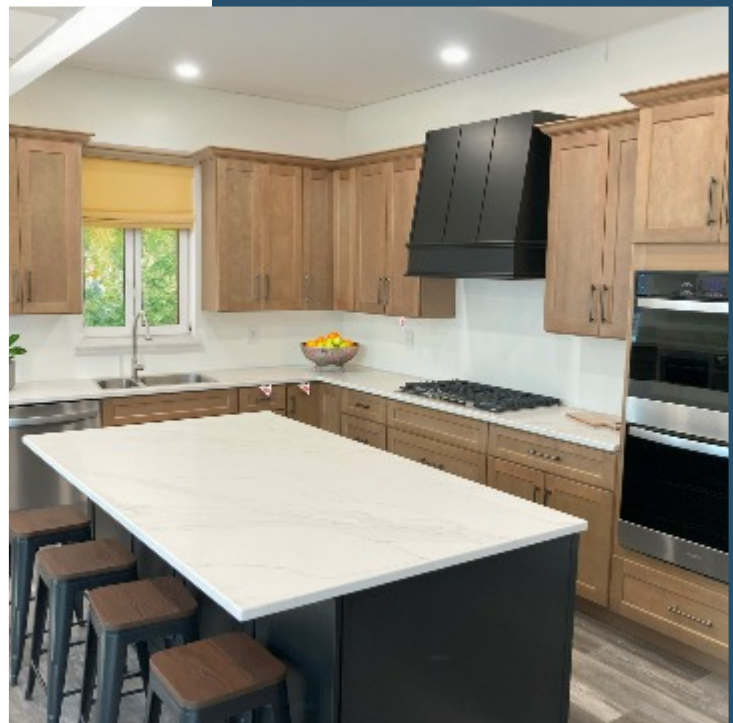


**Cognac  
Shaker**



# TABLE OF CONTENTS

<u>Section</u>	<u>Page</u>
Doors Introduction .....	2
Box Construction .....	4
Wall Cabinets .....	5
Base Cabinets .....	23
Tall Cabinets .....	33
Vanity Cabinets .....	53
Special Order .....	61
Accessories .....	65
Modifications .....	83
Warranty .....	86



# Box Construction

## Box & Face Frame

- 3/4" thick solid wood face frame
- 1/2" furniture grade plywood box
- Solid wood corner blocks
- Cabinet sides utilize half dovetail locking joinery
- 1 1/2" wide face frame construction
- 2 Drawer Base Drawer Face sizes
  - Top Drawer Face 14 1/4"
  - Bottom Drawer Face 14 3/8"
- 3 Drawer Base Drawer Face Sizes
  - Top Drawer Face 6 3/4"
  - Middle and Bottom Drawer Face 10 3/4"
- 2 Drawer Base Drawer Box Depth
  - Top and Bottom Drawer 9 1/4"
- 3 Drawer Base Drawer Box Depth
  - Top Drawer 3 3/8"
  - Middle and Bottom Drawer 6 1/4"



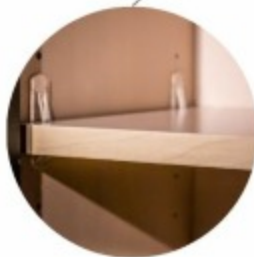
## Hinges

- 6-way adjustable soft close



## Drawer Boxes

- 5/8" solid wood drawer box
- Dovetail joinery
- 3/8" plywood drawer bottom



## Shelving

- 3/4" furniture grade plywood shelves
- Secure locking shelf clips

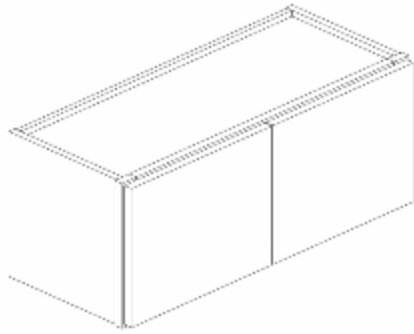


## Drawer Glides

- Full extension soft close

# WALL CABINETS

## Wall Cabinets- 12” High Cabinets



SKU	W	H	D
W3012	30"	12"	12"
W3312	33"	12"	12"
W3612	36"	12"	12"

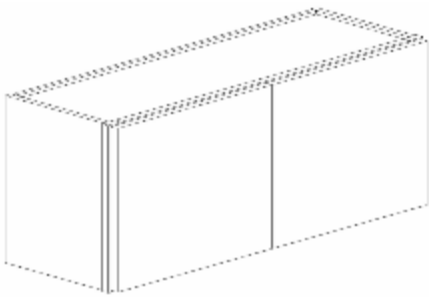
### Available Modifications

- Reduce depth - ½" increments to 4"
- Increase depth- ½" increments to 30"
- Prep doors for glass
- Ship doors loose
- Finished interior

### Notes

- No shelf
- No center stile

## Wall Cabinets- 15” High Cabinets



SKU	W	H	D
W3015	30"	15"	12"
W3615	36"	15"	12"

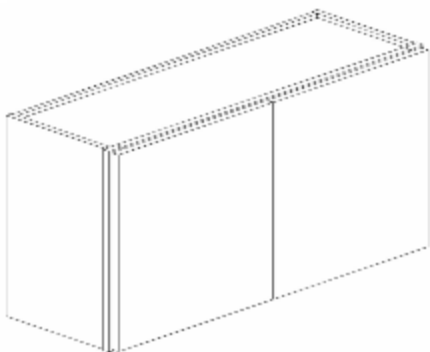
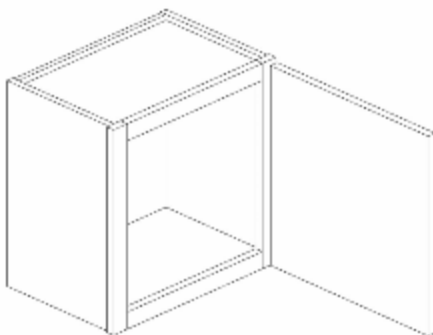
### Available Modifications

- Reduce depth - ½" increments to 4"
- Increase depth- ½" increments to 30"
- Prep doors for glass
- Ship doors loose
- Finished interior

### Notes

- No shelf
- No center stile

## Wall Cabinets- 18" High Cabinets



SKU	W	H	D
W1218*	12"	18"	12"
W1518*	15"	18"	12"
W1818	18"	18"	12"
W2118*	21"	18"	12"
W2418*	24"	18"	12"
W2718*	27"	18"	12"
W3018	30"	18"	12"
W3318*	33"	18"	12"
W3618	36"	18"	12"

### Available Modifications

- Reduce depth - ½" increments to 4"
- Increase depth- ½" increments to 30"
- Prep doors for glass
- Ship doors loose
- Finished interior

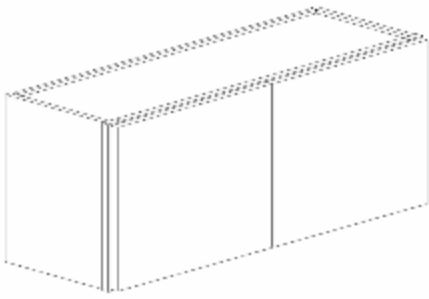
### Notes

- No shelf
- No center stile

### Special Availability\*

- These SKUs are only available at select locations.
- Availability may vary by style and color.
- Please check your local portal for availability.

## Wall Cabinets- 21" High Cabinet



SKU	W	H	D
W3021	30"	21"	12"
W3621	36"	21"	12"

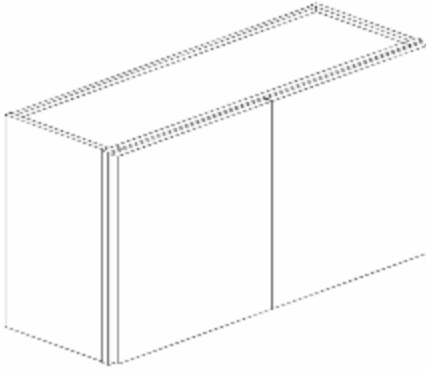
### Available Modifications

- Reduce depth - 1/2" increments to 4"
- Increase depth- 1/2" increments to 30"
- Prep doors for glass
- Ship doors loose
- Finished interior

### Notes

- No shelf
- No center stile

## Wall Cabinets- 24" High Cabinet



SKU	W	H	D
W3024	30"	24"	12"
W3324	33"	24"	12"
W3624	36"	24"	12"

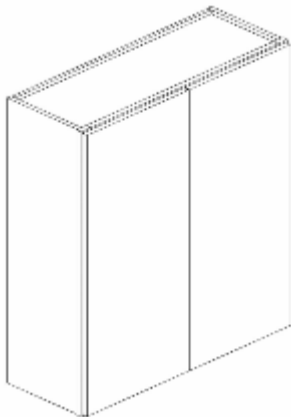
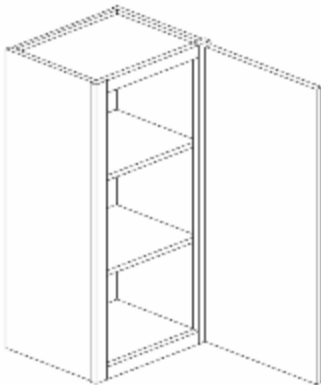
### Available Modifications

- Reduce depth - 1/2" increments to 4"
- Increase depth- 1/2" increments to 30"
- Prep doors for glass
- Ship doors loose
- Finished interior

### Notes

- 1 adjustable shelf
- No center stile

## Wall Cabinets- 30" High Cabinet



SKU	W	H	D
W0930	9"	30"	12"
W1230	12"	30"	12"
W1530	15"	30"	12"
W1830	18"	30"	12"
W2130	21"	30"	12"
W2430	24"	30"	12"
W2730	27"	30"	12"
W3030	30"	30"	12"
W3330	33"	30"	12"
W3630	36"	30"	12"
W3930	39"	30"	12"
W4230	42"	30"	12"

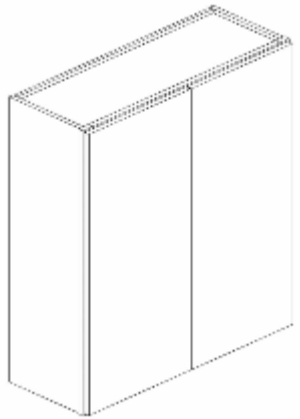
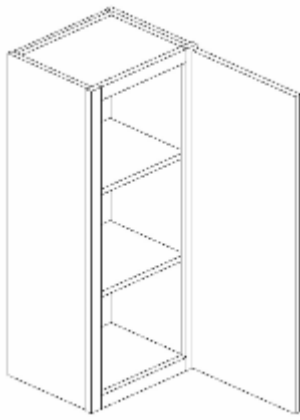
### Available Modifications

- Reduce depth - 1/2" increments to 4"
- Increase depth- 1/2" increments to 30"
- Prep doors for glass
- Ship doors loose
- Finished interior

### Notes

- 2 adjustable shelves
- Cabinets 24 inches or wider features butt doors

# Wall Cabinets- 36" High Cabinet



SKU	W	H	D
W0936	09"	36"	12"
W1236	12"	36"	12"
W1536	15"	36"	12"
W1836	18"	36"	12"
W2136	21"	36"	12"
W2436	24"	36"	12"
W2736	27"	36"	12"
W3036	30"	36"	12"
W3336	33"	36"	12"
W3636	36"	36"	12"
W3936	39"	36"	12"
W4236	42"	36"	12"

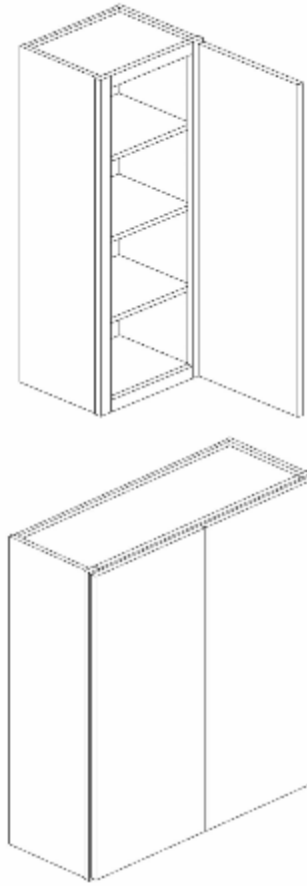
### Available Modifications

- Reduce depth - 1/2" increments to 4"
- Increase depth- 1/2" increments to 30"
- Prep doors for glass
- Ship door loose
- Finished interior

### Notes

- 2 adjustable shelves
- Cabinets 24 inches or wider features butt doors

## Wall Cabinets- 42" High Cabinet



SKU	W	H	D
W0942	09"	42"	12"
W1242	12"	42"	12"
W1542	15"	42"	12"
W1842	18"	42"	12"
W2142	21"	42"	12"
W2442	24"	42"	12"
W2742	27"	42"	12"
W3042	30"	42"	12"
W3342	33"	42"	12"
W3642	36"	42"	12"
W3942	39"	42"	12"
W4242	42"	42"	12"

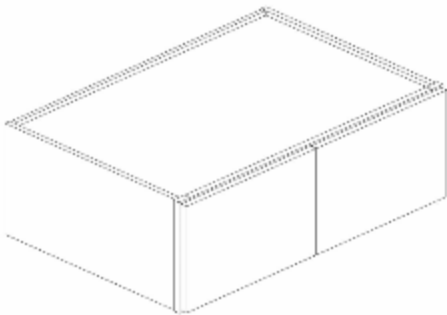
### Available Modifications

- Reduce depth - 1/2" increments to 4"
- Increase depth- 1/2" increments to 30"
- Prep doors for glass
- Ship doors loose
- Finished interior

### Notes

- 3 adjustable shelves
- Cabinets 24 inches or wider features butt doors

## Wall Cabinets- 24" Deep Cabinets



SKU	W	H	D
W361224	36"	12"	24"
W361524	36"	15"	24"
W361824	36"	18"	24"
W362124	36"	21"	24"
W362424	36"	24"	24"
W421224	42"	12"	24"
W481224	48"	12"	24"

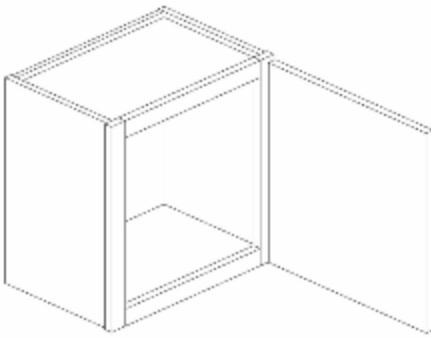
### Available Modifications

- Reduce depth - 1/2" increments to 4"
- Increase depth- 1/2" increments to 30"
- Prep doors for glass
- Ship doors loose
- Finished interior

### Notes

- W362424 has 1 adjustable shelf other 24" deep cabinets does not have an adjustable shelf
- No center stile

## Wall Cabinets- 12" High Door Cabinet



SKU	W	H	D
W1212	12"	12"	12"
W1512	15"	12"	12"
W1812	18"	12"	12"
W2112	21"	12"	12"

### Available Modifications

- Reduce depth - 1/2" increments to 4"
- Increase depth- 1/2" increments to 30"
- Prep doors for glass
- Ship door loose
- Finished interior

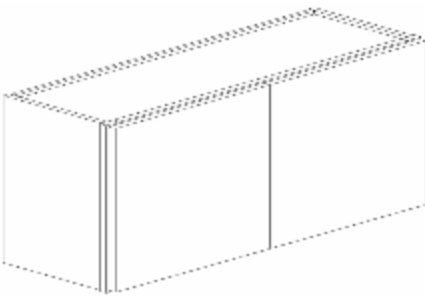
### Notes

- No shelf
- Does not include glass insert

### Special Availability

- These SKUS are only available at select locations.
- Availability may vary by style and color.
- Please check your local portal for availability.

## Wall Cabinets- 12" High Double Door Cabinet



SKU	W	H	D
W2412	24"	12"	12"
W2712	27"	12"	12"
W3012	30"	12"	12"
W3312	33"	12"	12"
W3612	36"	12"	12"

### Available Modifications

- Reduce depth - 1/2" increments to 4"
- Increase depth- 1/2" increments to 30"
- Prep doors for glass
- Ship doors loose
- Finished interior

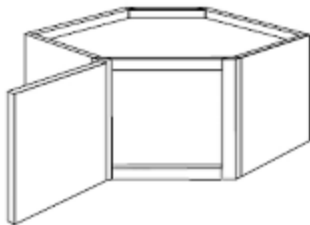
### Notes

- No shelf
- No center stile
- Does not include glass insert

### Special Availability

- These SKUS are only available at select locations.
- Availability may vary by style and color.
- Please check your local portal for availability.

## Wall Cabinets- 12" High Diagonal Door Cabinet



SKU	W	H	D
WDC2412	24"	12"	12"

### Available Modifications

- Prep doors for glass
- Ship door loose
- Finished interior

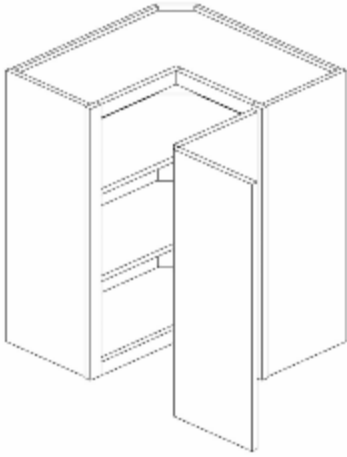
### Notes

- No shelf

### Special Availability

- These SKUS are only available at select locations.
- Availability may vary by style and color.
- Please check your local portal for availability.

## Wall Cabinets- Wall Square Corner Cabinet



SKU	W	H	D
WSC2430	24"	30"	12"
WSC2436	24"	36"	12"
WSC2442	24"	42"	12"

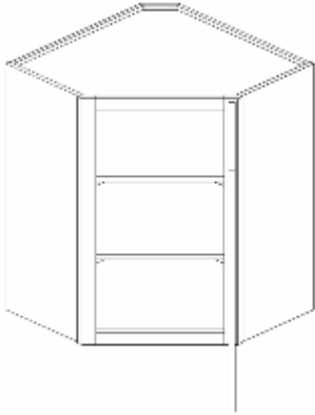
### Available Modifications

- Ship door loose

### Notes

- 30" & 36" high have 2 adjustable shelves
- 42" high has 3 adjustable shelves

## Wall Cabinets- Wall Diagonal Corner Cabinet



SKU	W	H	D
WDC2418	24"	18"	12"
WDC2430	24"	30"	12"
WDC2436	24"	36"	12"
WDC2442	24"	42"	12"
WDC273615	27"	36"	15"
WDC274215	27"	42"	15"

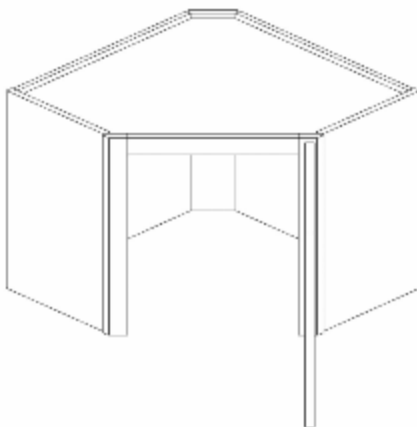
### Available Modifications

- Prep door for glass
- Ship door loose
- Finished Interior

### Notes

- 18" high has no shelf
- 30" & 36" high have 2 adjustable shelves
- 42" high has 3 adjustable shelves
- 12" Deep cabinet requires use of filler to prevent doors from binding on adjacent cabinet.

## Wall Cabinets- 18" High Wall Diagonal Corner Appliance Garage



SKU	W	H	D
WDC2418G	24"	18"	12"

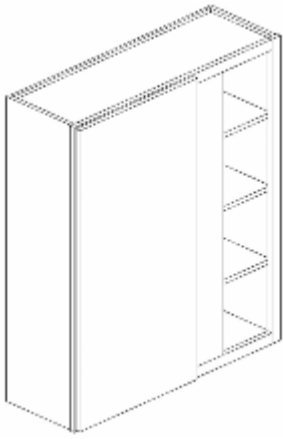
### Available Modifications

- Ship door loose

### Notes

- Does not have a floor
- Does not have a bottom face frame rail
- Designed to sit on the countertop
- Door will sit 3/4" from countertop

# Wall Cabinets- Wall Blind Corner Cabinet



SKU	W	H	D
WBC3030	30"	30"	12"
WBC3036	30"	36"	12"
WBC3042	30"	42"	12"
WBC3630	36"	30"	12"
WBC3636	36"	36"	12"
WBC3642	36"	42"	12"

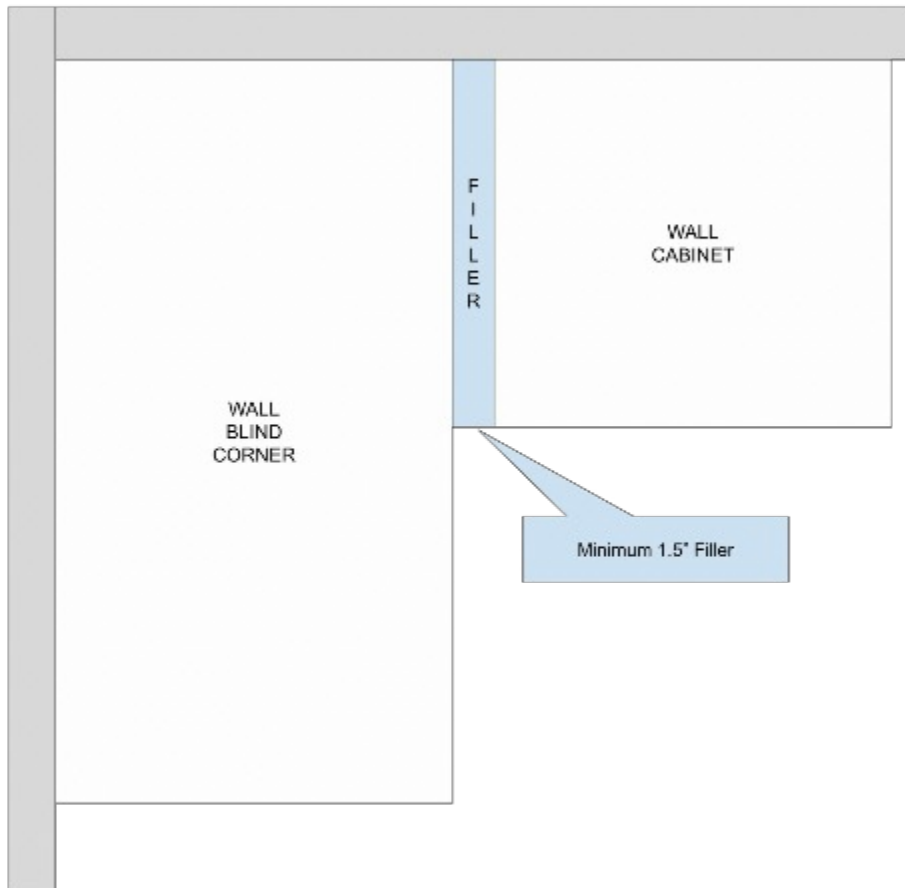
### Available Modifications

- Reduce depth - 1/2" increments to 4"
- Increase depth- 1/2" increments to 30"
- Prep door for glass
- Ship door loose
- Finished Interior
- Void Blind

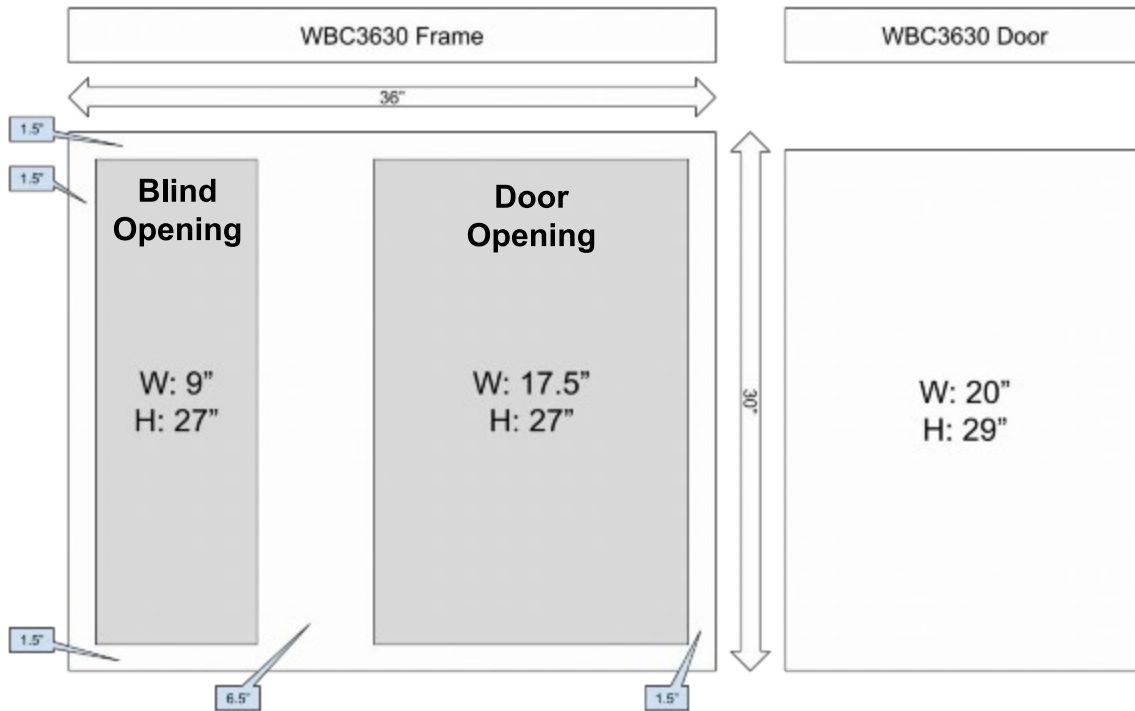
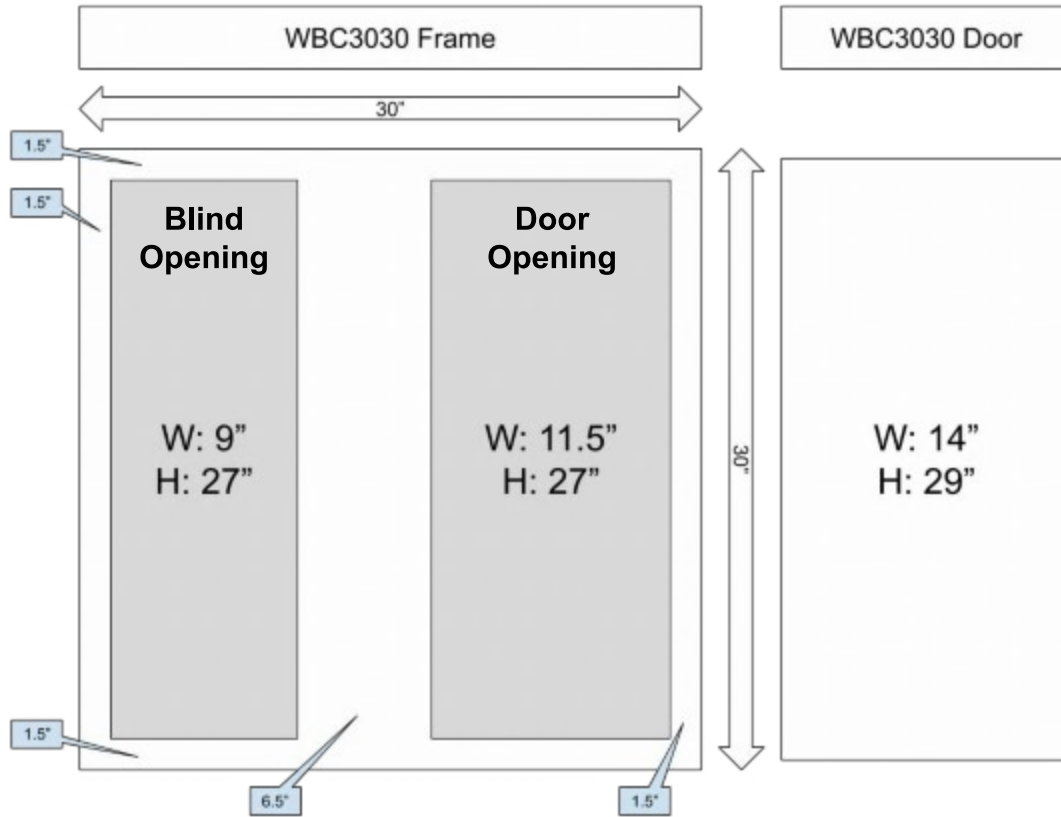
### Notes

- Right hinge = right blind (shown in drawing)
- Left hinge = left blind
- Can be pulled up to 3" from wall.
- 30" & 36" high have 2 adjustable shelves
- 42" high has 3 adjustable shelves
- Minimum 1 1/2" filler must be installed perpendicular to allow door to clear adjacent cabinet. See fig. A

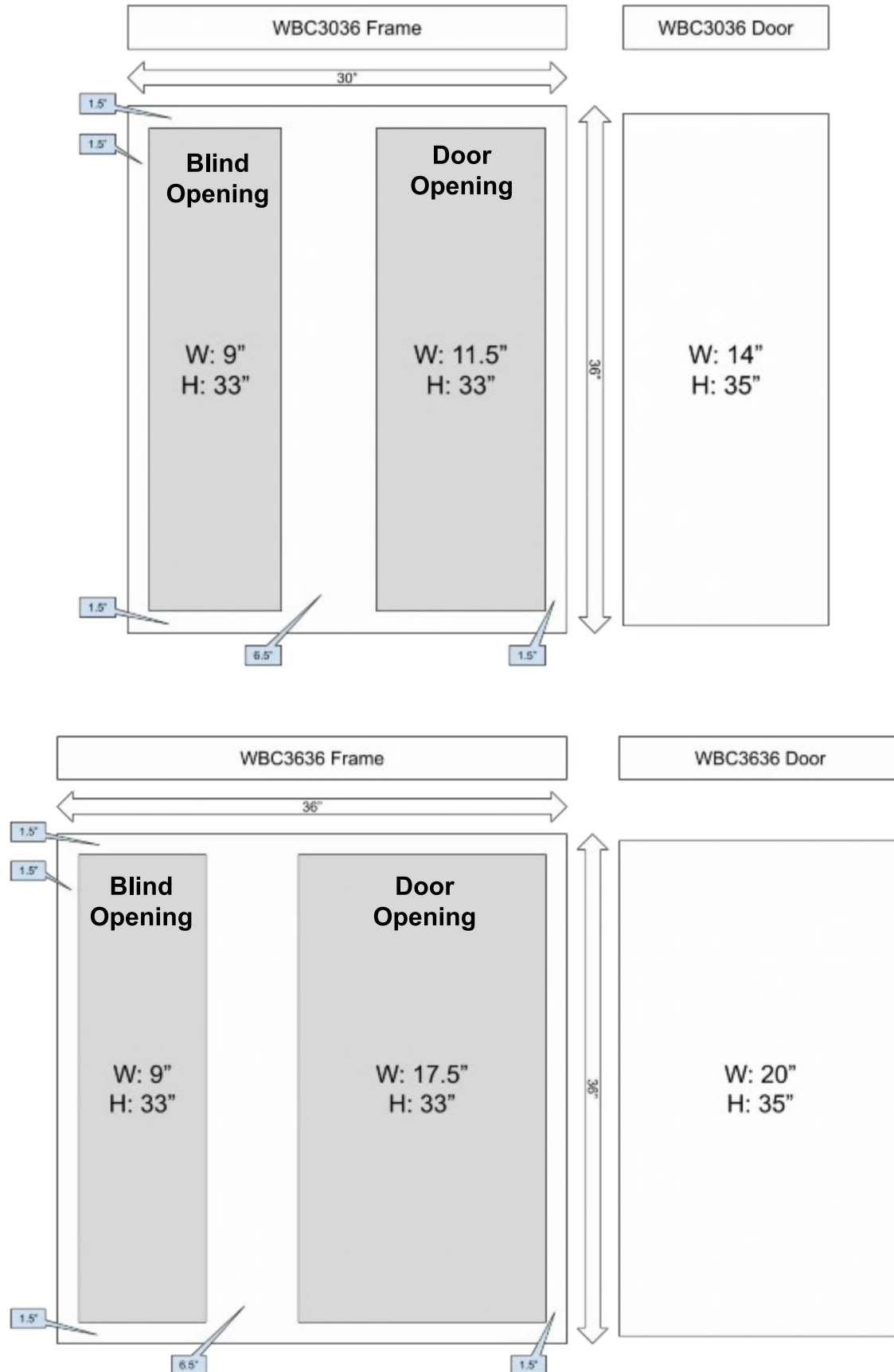
Fig A.



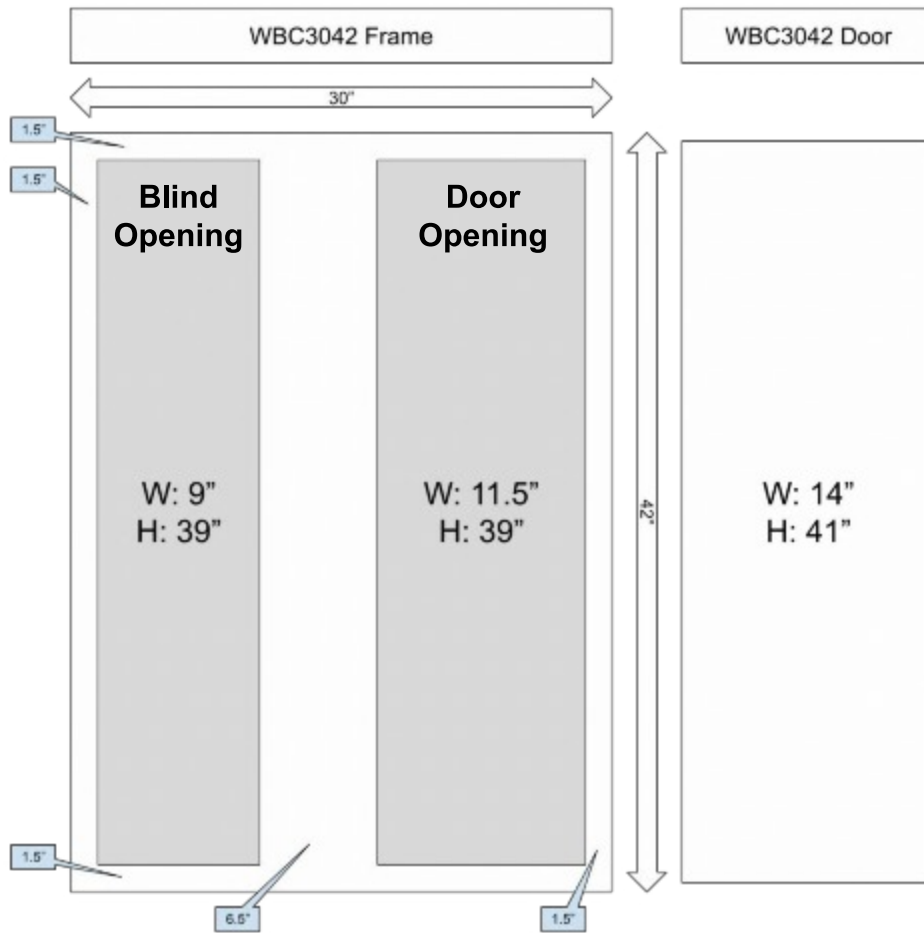
# Wall Cabinets- Wall Blind Corner Cabinet



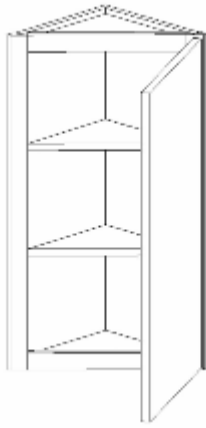
# Wall Cabinets- Wall Blind Corner Cabinet



# Wall Cabinets- Wall Blind Corner Cabinet



## Wall Cabinets- Wall Angle End Cabinet



SKU	W	H	D
WAE30	12"	30"	12"
WAE36	12"	36"	12"
WAE42	12"	42"	12"

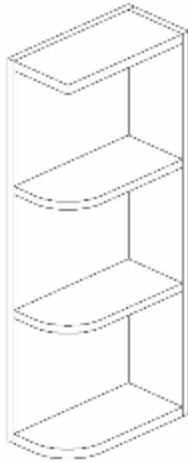
### Available Modifications

- Prep doors for glass
- Ship doors loose

### Notes

- 30" & 36" high have 2 adjustable shelves
- 42" high has 3 adjustable shelves
- Comes standard with a finished interior

## Wall Cabinets- Wall Open End Shelf Cabinet



SKU	W	H	D
WOES0630	06"	30"	12"
WOES0636	06"	36"	12"
WOES0642	06"	42"	12"

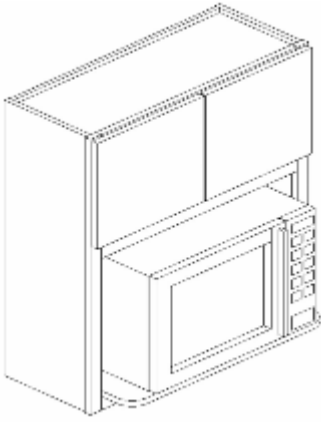
### Available Modifications

- N/A

### Notes

- 30" & 36" high have 2 fixed shelves (shown)
- 42" high has 3 fixed shelves
- Can be ordered left or right (right shown)
- Comes standard with a finished interior

# Wall Cabinets- Wall Microwave Oven Cabinet



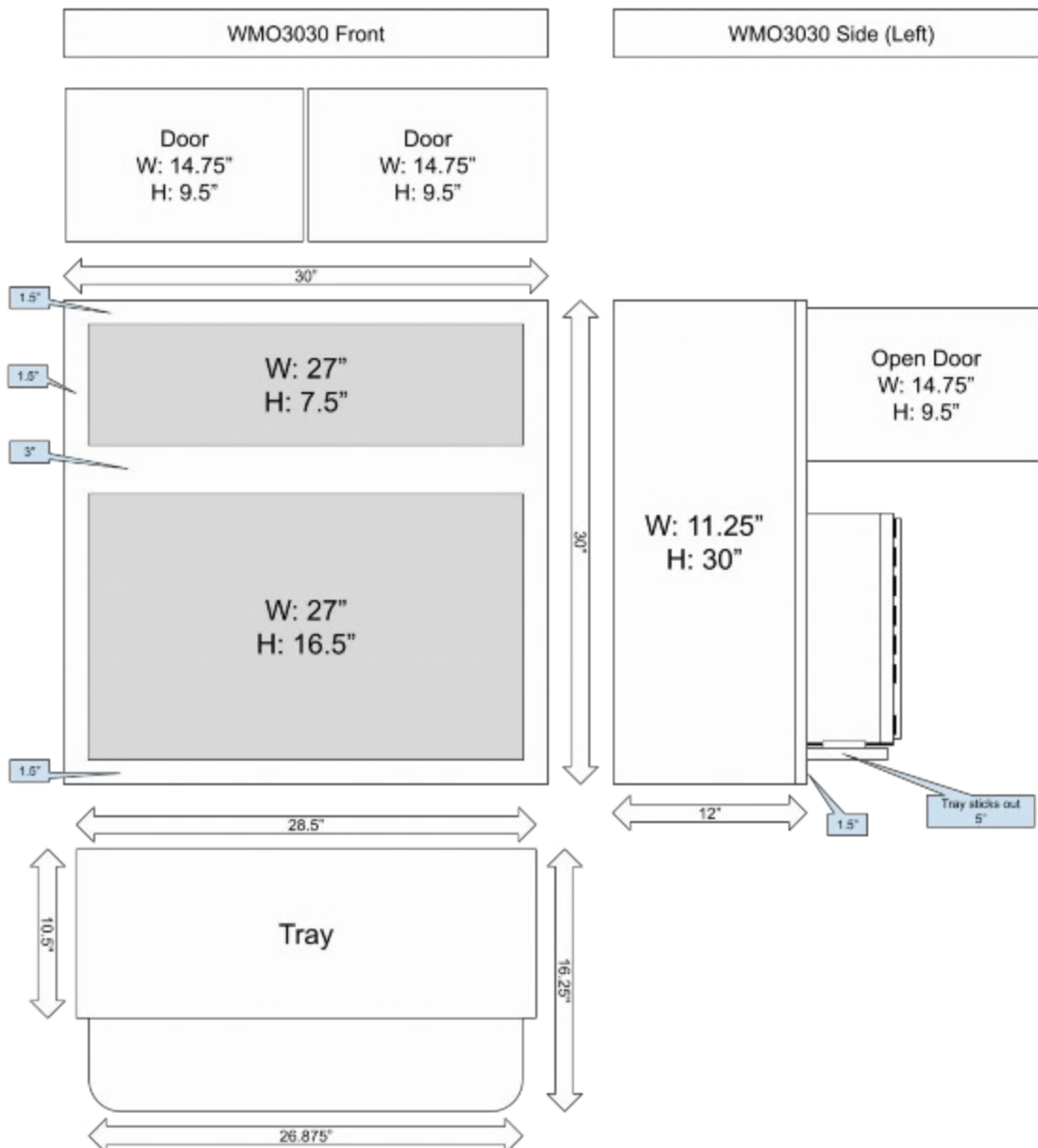
SKU	W	H	D
WMO3030	30"	30"	16.25"
WMO3036	30"	36"	16.25"
WMO3042	30"	42"	16.25"

## Available Modifications

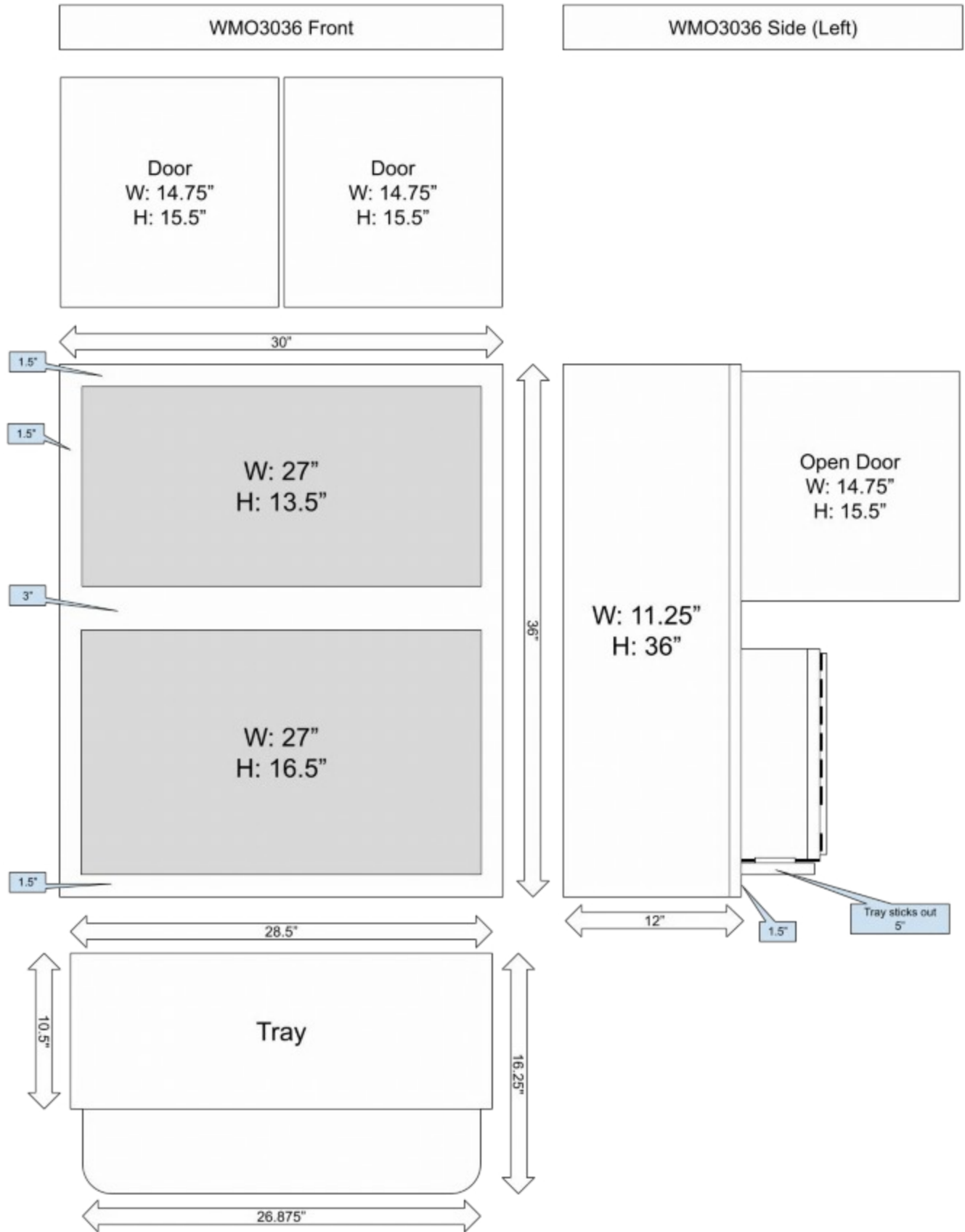
- Reduce depth - 1/2" increments to 4" (specify depth of cabinet, not including microwave shelf)
- Increase depth- 1/2" increments to 30" (Increased depth will result in loss of microwave shelf)
- Prep doors for glass
- Ship door loose
- Finished Interior (only needed when increasing depth)

## Notes

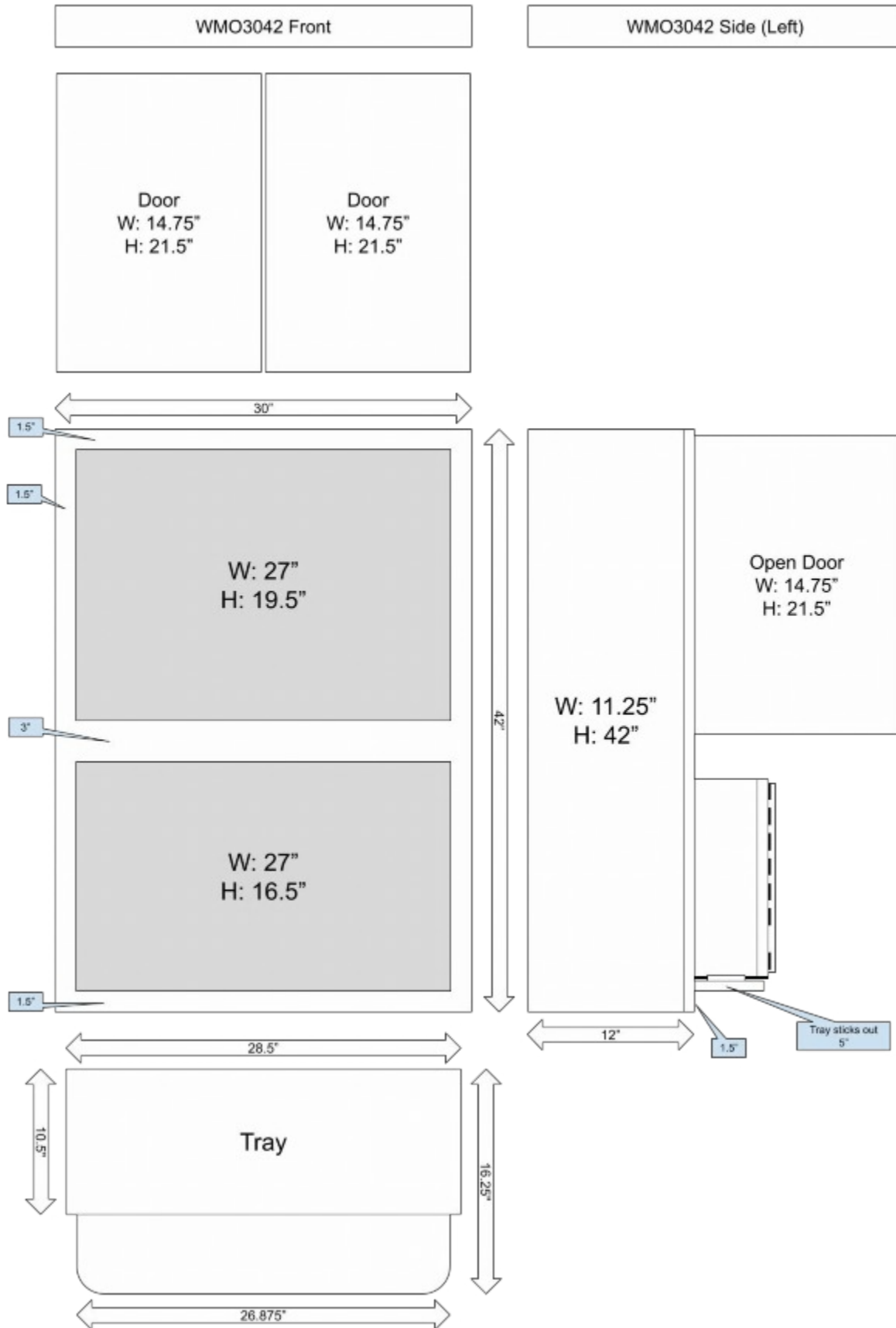
- Comes with removable shelf.
- Depth does not include removable shelf.
- Removable shelf protrudes 5" past face frame.
- Comes standard with finished interior.
- If increasing depth, you must add finished interior mod.



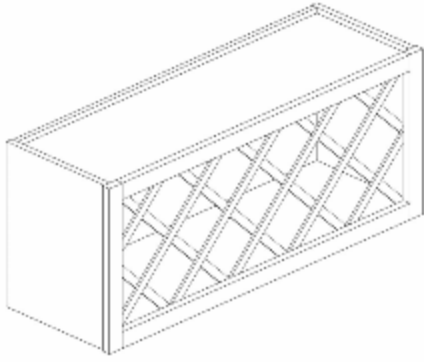
# Wall Cabinets- Wall Microwave Oven Cabinet



# Wall Cabinets- Wall Microwave Oven Cabinet



## Wall Cabinets- Wine Rack Lattice



SKU	W	H	D
WR3015	30"	15"	12"
WR3615	36"	15"	12"

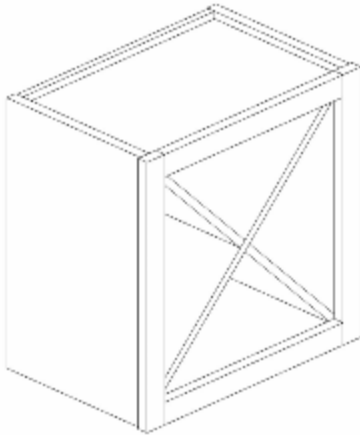
### Available Modifications

- n/a

### Notes

- 30" wide holds 10 bottles
- 36" wide holds 13 bottles
- Comes standard with finished interior

## Wall Cabinets- Wine X Rack



SKU	W	H	D
WCX1818	18"	18"	12"

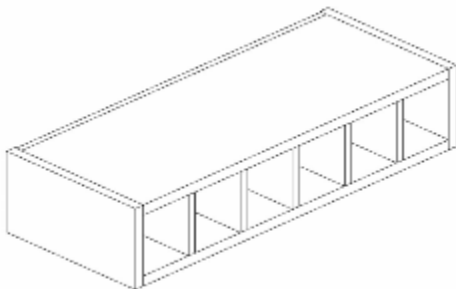
### Available Modifications

- Reduce depth - 1/2" increments to 4"

### Notes

- Comes standard with finished interior

## Wall Cabinets- Slotted Cubby



SKU	W	H	D
WCW630	30"	06"	12"

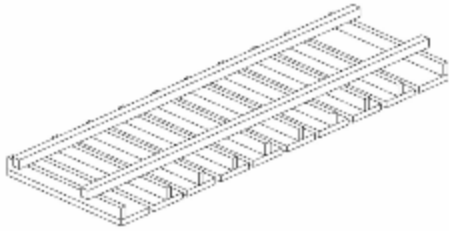
### Available Modifications

- Reduce depth - 1/2" increments to 4"

### Notes

- Comes standard with finished interior
- Made from finished plywood, so you will see seams where joints meet.
- Can be turned vertically for use as a base cabinet, platform for toe will need to be built in the field.

## Wall Cabinets- Stem Glass Holder



SKU	W	H	D
SGH30	28.5"	2.75"	10.5"
SGH36	34.5"	2.75"	10.5"

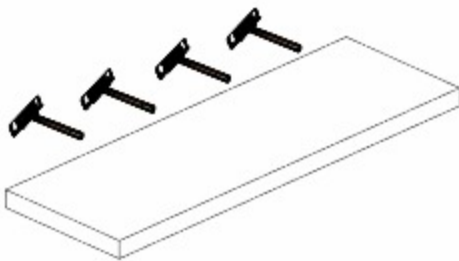
### Available Modifications

- n/a

### Notes

- Designed to sit in the recess below a wall cabinet 30" wide or 36" wide.

## Wall Cabinets- Floating Shelf



SKU	W	H	D
WSF3612	36"	1.5"	12"
WSF4812	48"	1.5"	12"

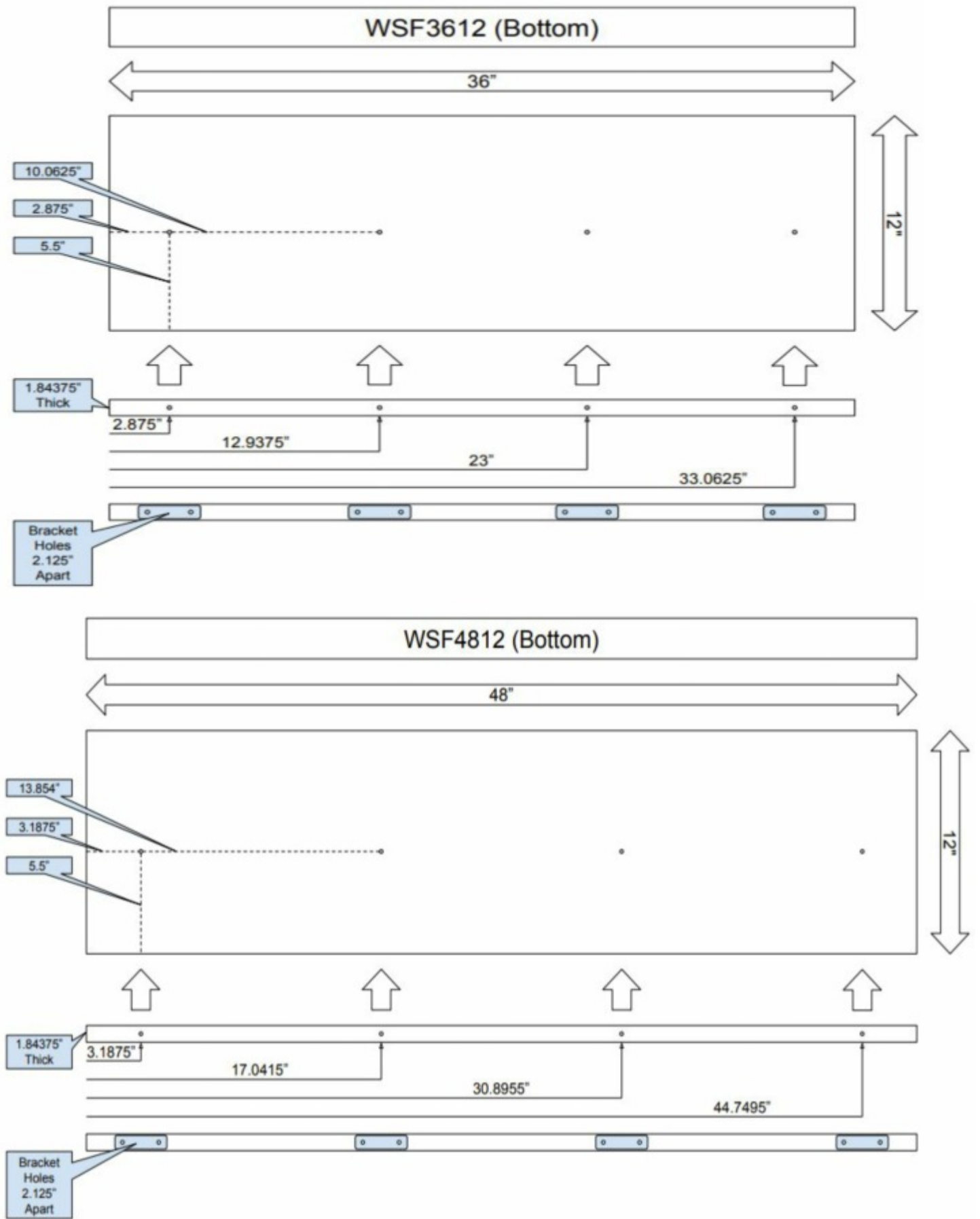
### Available Modifications

- n/a

### Notes

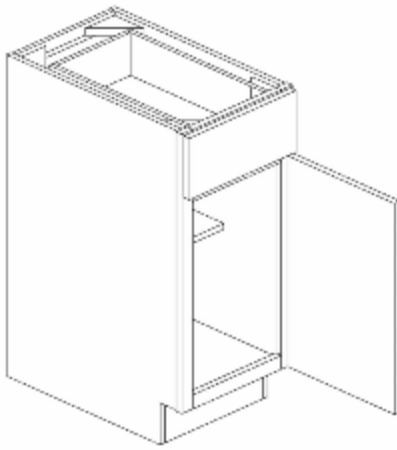
- Comes with 4 mounting brackets
- Brackets must be attached to wall stud
- Finished on 3 sides
- Shelves can be cut in width, but you may lose a mounting bracket location and will have 1 unfinished end.
- Holds 35 lbs max

# Wall Cabinets- Floating Shelf



# BASE CABINETS

## Base Cabinets- Single Door Base With Drawer



SKU	W	H	D
B12	12"	34.5"	24"
B15	15"	34.5"	24"
B18	18"	34.5"	24"
B21	21"	34.5"	24"

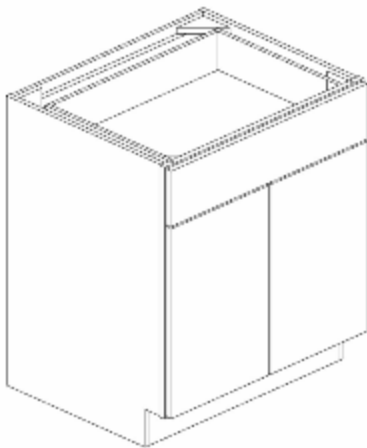
### Available Modifications

- Reduce depth - ½" increments to 15"
- Reduce toe kick height- ½" increments to 0"
- Void top drawer
- Ship door loose

### Notes

- 1 adjustable shelf

## Base Cabinets- Double Door Base With Drawer



SKU	W	H	D
B24	24"	34.5"	24"
B27	27"	34.5"	24"
B30	30"	34.5"	24"
B33	33"	34.5"	24"
B36	36"	34.5"	24"

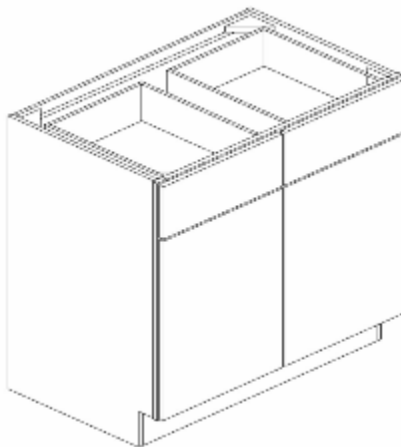
### Available Modifications

- Reduce depth - ½" increments to 15"
- Reduce toe kick height- ½" increments to 0"
- Void top drawer
- Ship doors loose

### Notes

- No center stile
- 1 adjustable shelf

## Base Cabinets- Double Door Base With 2 Drawers



SKU	W	H	D
B39	39"	34.5"	24"
B42	42"	34.5"	24"

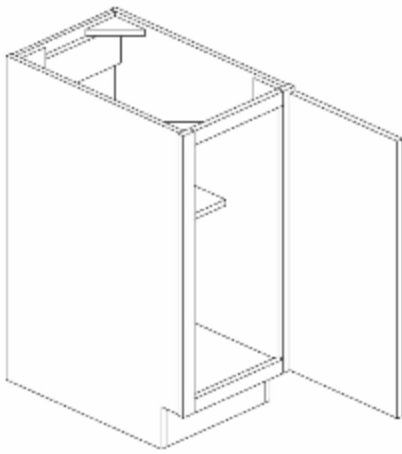
### Available Modifications

- Reduce depth - ½" increments to 15"
- Reduce toe kick height- ½" increments to 0"
- Void top drawers
- Ship doors loose

### Notes

- No center stile
- 1 adjustable shelf

## Base Cabinets- Single Door Full Height



SKU	W	H	D
B09FH	09"	34.5"	24"
B12FH	12"	34.5"	24"
B15FH	15"	34.5"	24"
B18FH	18"	34.5"	24"
B21FH	21"	34.5"	24"

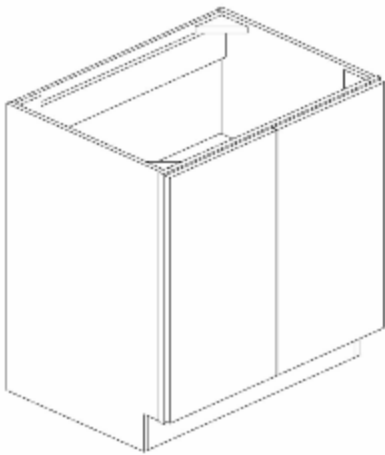
### Available Modifications

- Reduce depth - 1/2" increments to 6"
- Prep door for glass
- Reduce toe kick height- 1/2" increments to 0"
- Ship door loose

### Notes

- A wall cabinet door & frame is used to create this cabinet which results in the reveal above the door matching that of a wall cabinet.
- The interior of the cabinet may have small holes where the unused drawer bracket clips normally sit.
- 1 adjustable shelf

## Base Cabinets- Double Door Full Height



SKU	W	H	D
B24FH	24"	34.5"	24"
B27FH	27"	34.5"	24"
B30FH	30"	34.5"	24"
B33FH	33"	34.5"	24"
B36FH	33"	34.5"	24"
B39FH	39"	34.5"	24"
B42FH	42"	34.5"	24"

### Available Modifications

- Reduce depth - 1/2" increments to 6"
- Prep door for glass
- Reduce toe kick height- 1/2" increments to 0"
- Ship doors loose

### Notes

- A wall cabinet door & frame is used to create this cabinet which results in the reveal above the door matching that of a wall cabinet.
- The interior of the cabinet may have small holes where the unused drawer bracket clips normally sit.
- No center stile
- 1 adjustable shelf

## Base Cabinets- 3 Drawer Base



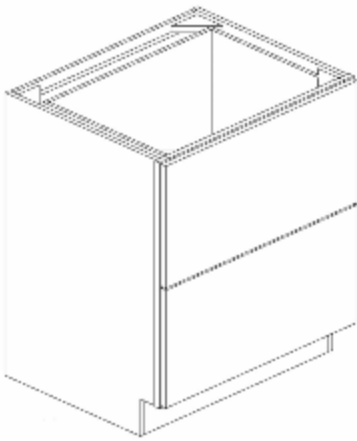
SKU	W	H	D
3DB12	12"	34.5"	24"
3DB15	15"	34.5"	24"
3DB18	18"	34.5"	24"
3DB21	21"	34.5"	24"
3DB24	24"	34.5"	24"
3DB30	30"	34.5"	24"
3DB36	36"	34.5"	24"

### Available Modifications

- Reduce depth - 1/2" increments to 15"
- Reduce toe kick height- 1/2" increments to 0"
- Void top drawer
- Make bench cabinet (17 1/4" Height)
- Mid-Rail between bottom and middle drawer is 2" wide

**NOTE:** When reducing depth on a base cabinet with a drawer, functional drawers are only available in 24", 21", 18", and 15" depths otherwise the drawer will be voided.

## Base Cabinets- 2 Drawer Base



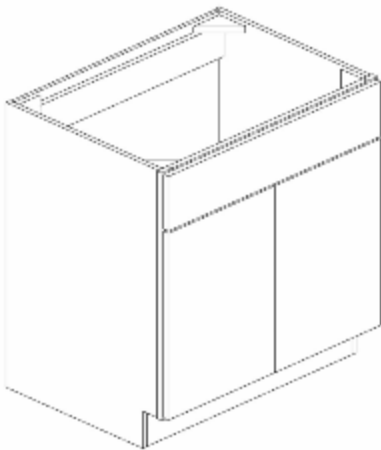
SKU	W	H	D
2DB30	30"	34.5"	24"
2DB36	36"	34.5"	24"

### Available Modifications

- Reduce depth - 1/2" increments to 15"
- Reduce toe kick height- 1/2" increments to 0"
- Void top drawer
- Make bench cabinet (21 1/8" Height)
- Mid-Rail between drawers is 2" wide

**NOTE:** When reducing depth on a base cabinet with a drawer, functional drawers are only available in 24", 21", 18", and 15" depths otherwise the drawer will be voided.

## Base Cabinets- Sink Base With 1 False Drawer



SKU	W	H	D
SB24	24"	34.5"	24"
SB30	30"	34.5"	24"
SB33	33"	34.5"	24"
SB36	36"	34.5"	24"

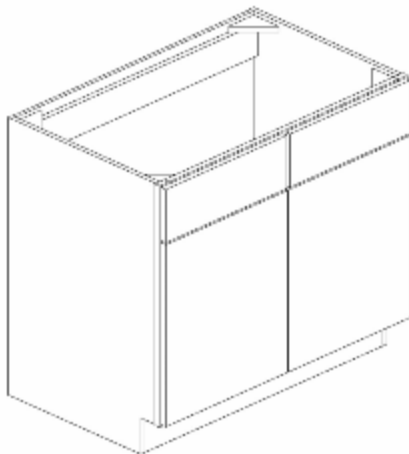
### Available Modifications

- Reduce depth - 1/2" increments to 6"
- Reduce toe kick height- 1/2" increments to 0"
- Ship doors loose

### Notes

- To create a SB27, use a B27 and void the top drawer.
- No center stile

## Base Cabinets- Sink Base With 2 False Drawers



SKU	W	H	D
SB39	39"	34.5"	24"
SB42	42"	34.5"	24"

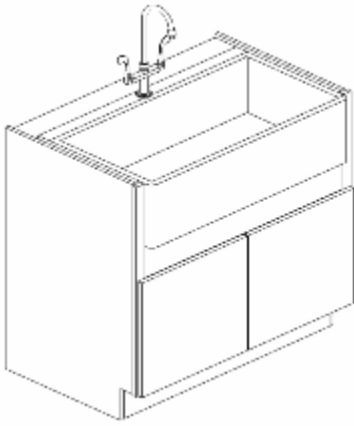
### Available Modifications

- Reduce depth - 1/2" increments to 6"
- Reduce toe kick height- 1/2" increments to 0"
- Ship doors loose

### Notes

- No center stile.

# Base Cabinets- Farm Sink Base



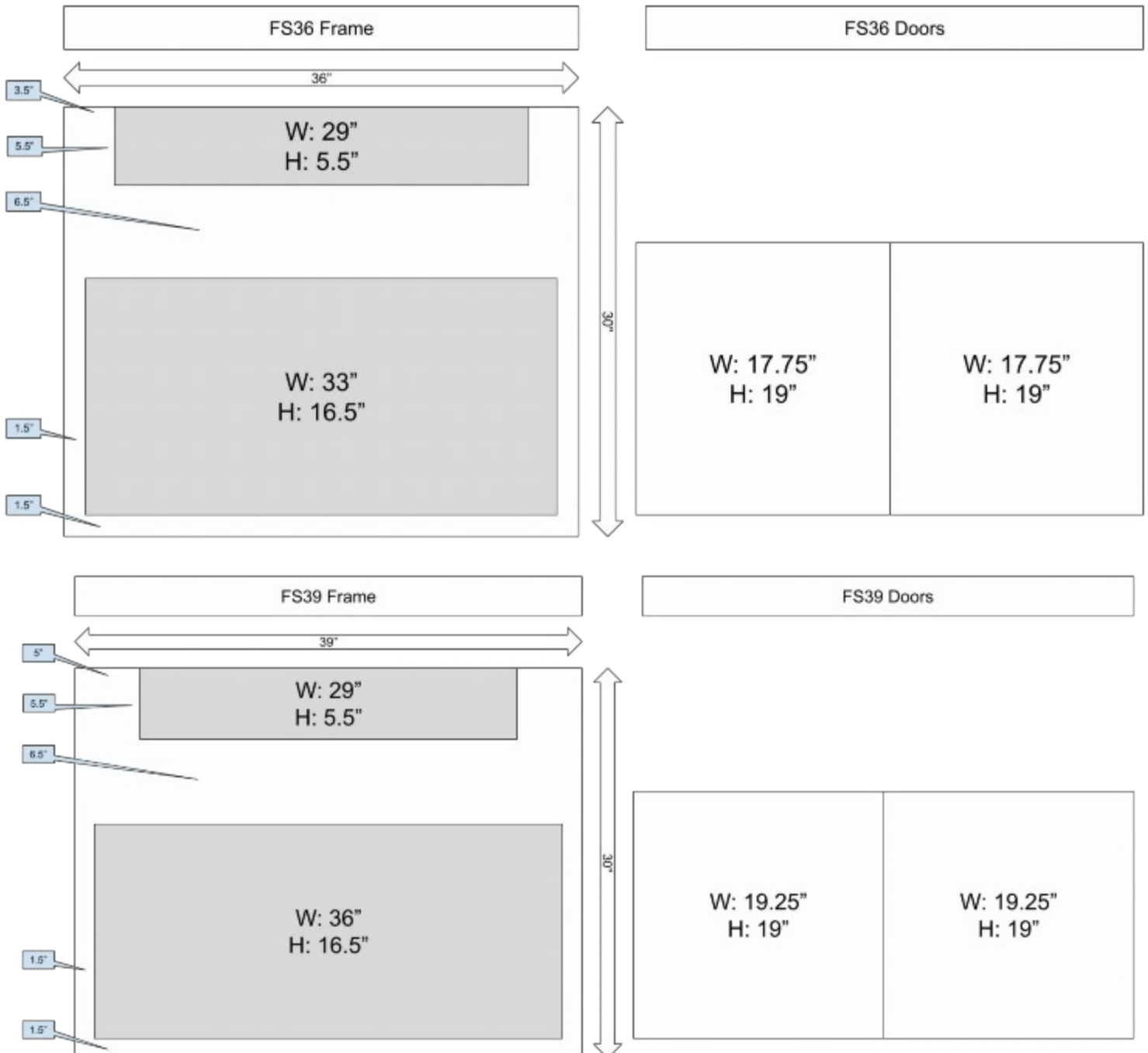
SKU	W	H	D
FS36	36"	34.5"	24"
FS39	39"	34.5"	24"

### Available Modifications

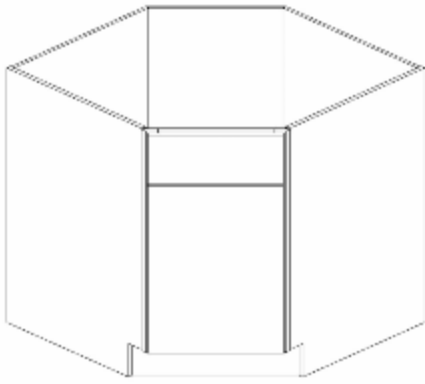
- Reduce depth - 1/2" increments to 12"
- Reduce toe kick height- 1/2" increments to 0"

### Notes

- Trimmable face to be cut in field.
- It is recommended to include a piece of scribe or extra filler to cover cuts made on-site.



## Base Cabinets- Diagonal Sink Base With False Drawer



SKU	W	H	D
DSB36	36"	34.5"	24"

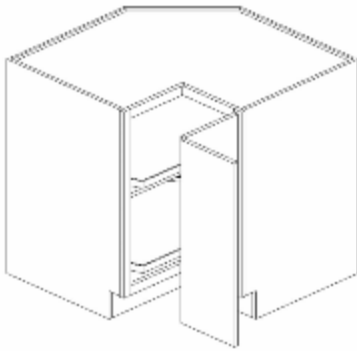
### Available Modifications

- Reduce toe kick height- 1/2" increments to 0"

### Notes

- It is recommended to have a 3" filler if placing an appliance or drawer base cabinet directly next to the DSB36 to allow necessary standing space while at the sink.

## Base Cabinets- Square Corner Base With 2 Lazy Susans



SKU	W	H	D
LSB33	33"	34.5"	24"
LSB36	36"	34.5"	24"

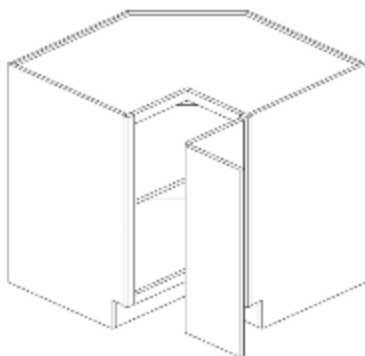
### Available Modifications

- Reduce toe kick height- 1/2" increments to 0"
- Ship doors loose

### Notes

- Lazy susan shelves are not adjustable

## Base Cabinets- Square Corner Base With Shelf



SKU	W	H	D
BER36	36"	34.5"	24"

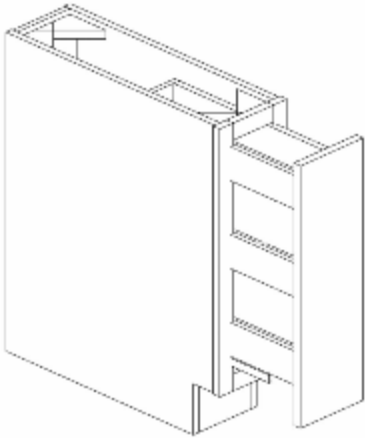
### Available Modifications

- Reduce toe kick height- 1/2" increments to 0"
- Ship doors loose

### Notes

- 1 adjustable shelf

## Base Cabinets- Pull Out Spice Rack Cabinet



SKU	W	H	D
B09SP	09"	34.5"	24"

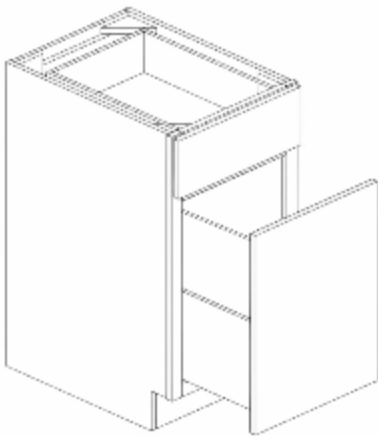
### Available Modifications

- Reduce toe kick height- 1/2" increments to 0"

### Notes

- Solid wood insert
- Tiers are not adjustable
- Not soft closing

## Base Cabinets- Pull Out Double Wastebasket Cabinet



SKU	W	H	D
BWB18	18"	34.5"	24"

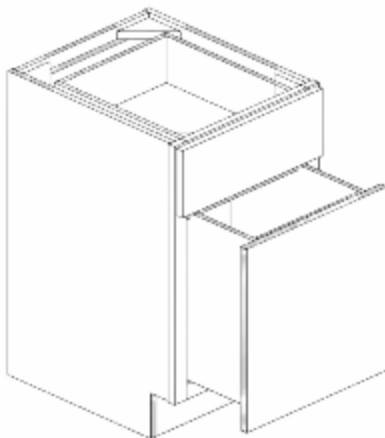
### Available Modifications

- Reduce toe kick height- 1/2" increments to 0"

### Notes

- Holds two 13 gallon waste baskets.
- When ordering through the dealer portal, waste baskets (qty. 2) are automatically included with this SKU.
- Waste baskets can be ordered separately
- SKU for (1) waste basket is PRO-WB.

## Base Cabinets- Pull Out File Drawer Cabinet



SKU	W	H	D
FDB18	18"	30"	21"

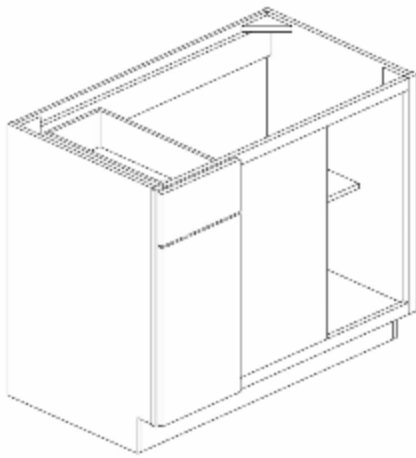
### Available Modifications

- Reduce toe kick height- 1/2" increments to 0"

### Notes

- Hanging file system not included. This must be purchased separately through a 3rd party vendor.

# Base Cabinets- Blind Corner Base Cabinet



SKU	W	H	D
BLB39/42	39"	34.5"	24"
BLB42/45	42"	34.5"	24"

### Available Modifications

- Reduce depth - 1/2" increments to 15"
- Reduce toe kick height- 1/2" increments to 0"
- Void Blind

### Notes

- Right hinge = right blind (shown in drawing)
- Left hinge = left blind
- BLB39/42 is 39" wide but can be pulled 3" from wall to fill a 42" space
- BLB42/45 is 42" wide but can be pulled 3" from wall to fill a 45" space
- Minimum 1.5" filler must be installed perpendicular to allow drawer to clear adjacent cabinet with no hardware. See fig. A
- 1 adjustable shelf

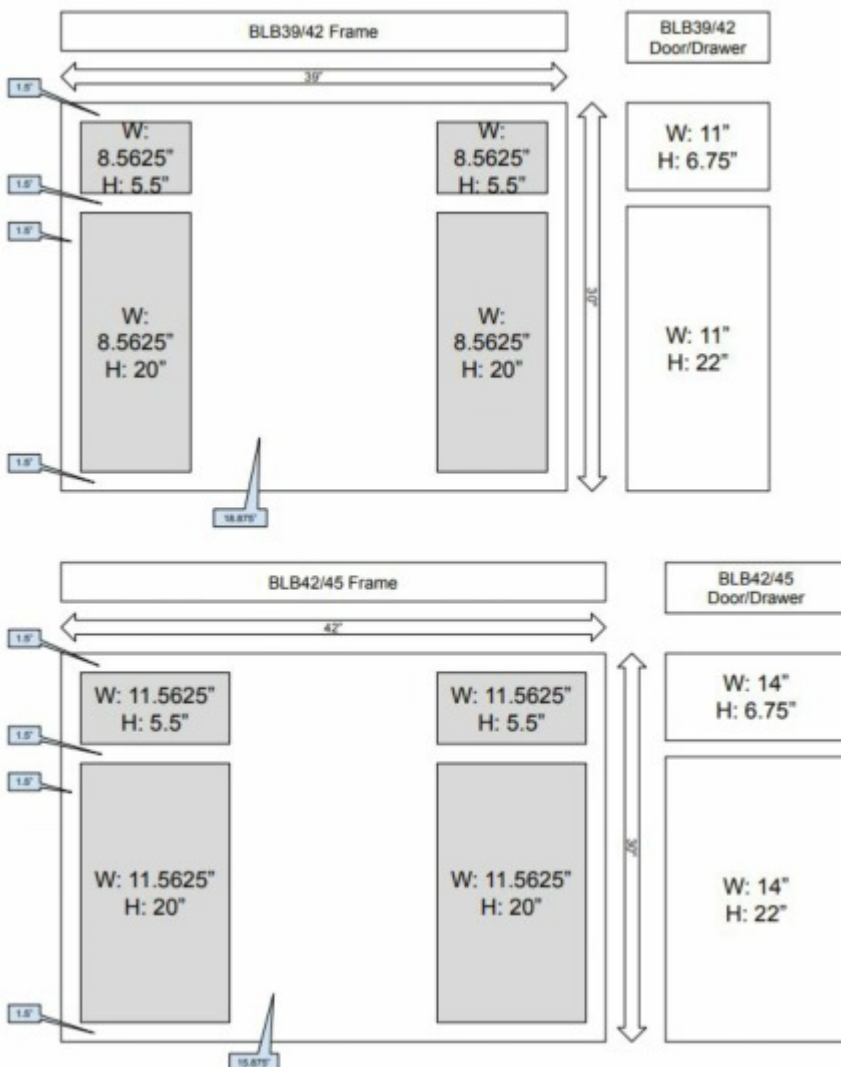
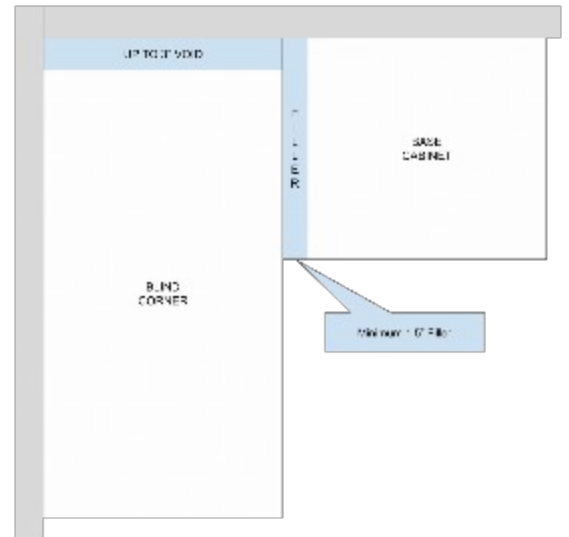
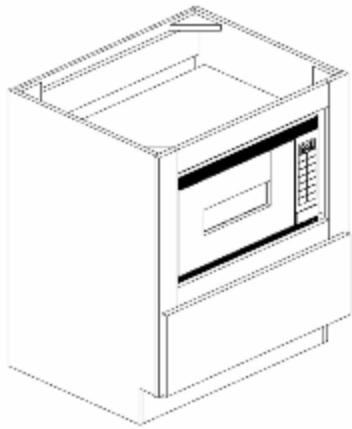


Fig. A



# Base Cabinets- Base Microwave Cabinet With Drawer



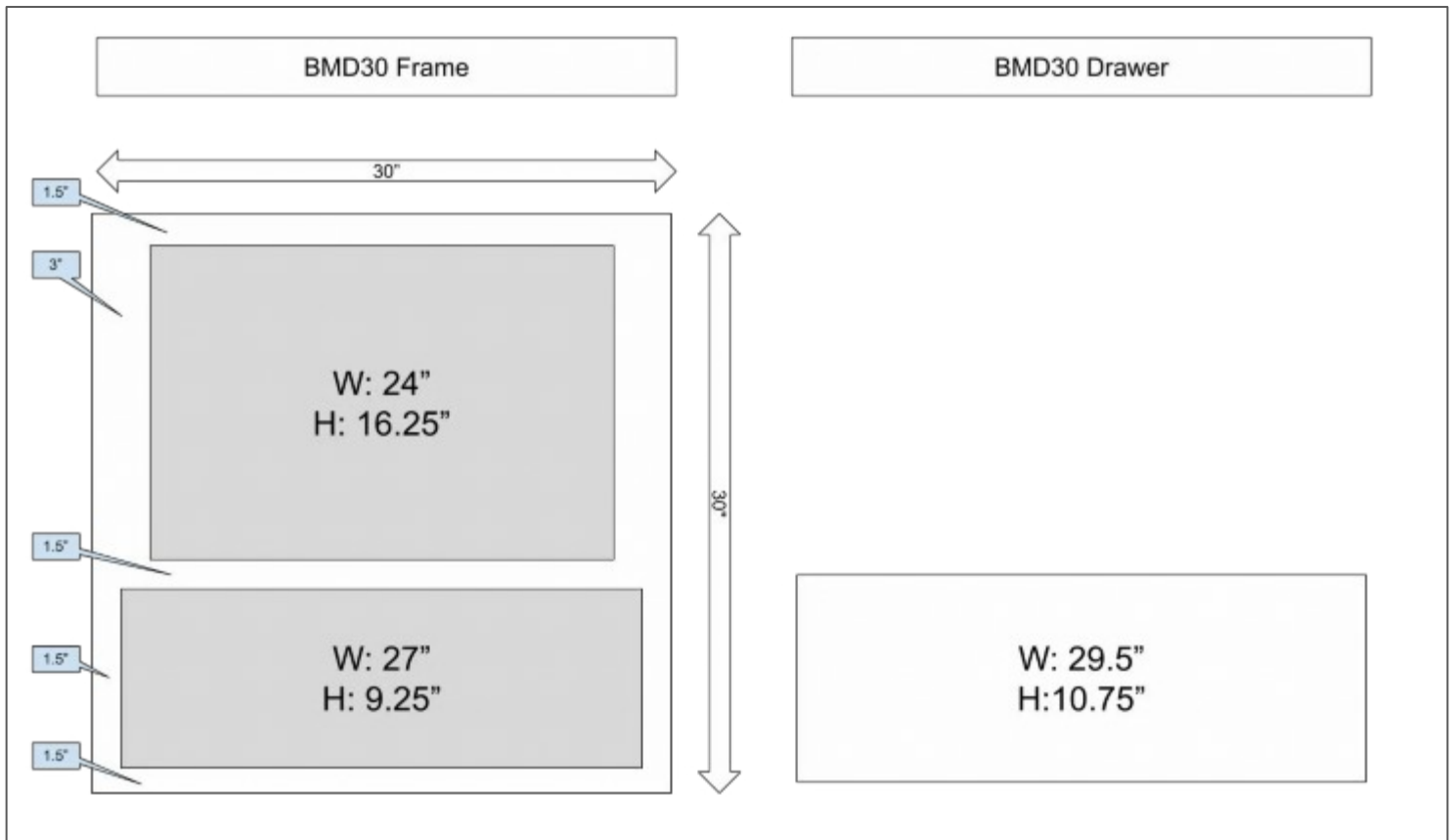
SKU	W	H	D
BMD30	30"	34.5"	24"

### Available Modifications

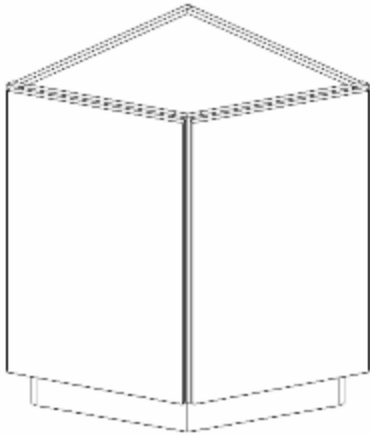
- Reduce depth - ½" increments to 15"
- Reduce toe kick height- ½" increments to 0"

### Notes

- Fixed shelf above drawer to hold microwave.
- Comes standard with a finished interior.



## Base Cabinets- Base Angle End Cabinet



SKU	W	H	D
BAE24	24"	34.5"	24"

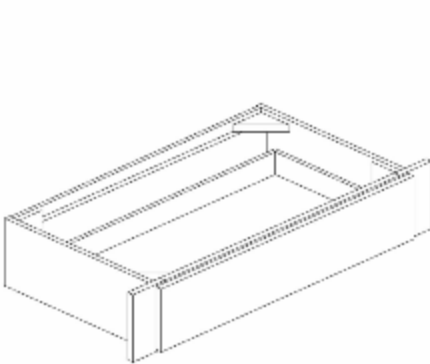
### Available Modifications

- Reduce toe kick height- 1/2" increments to 0"

### Notes

- Comes standard with a finished interior.

## Base Cabinets- Knee Drawer



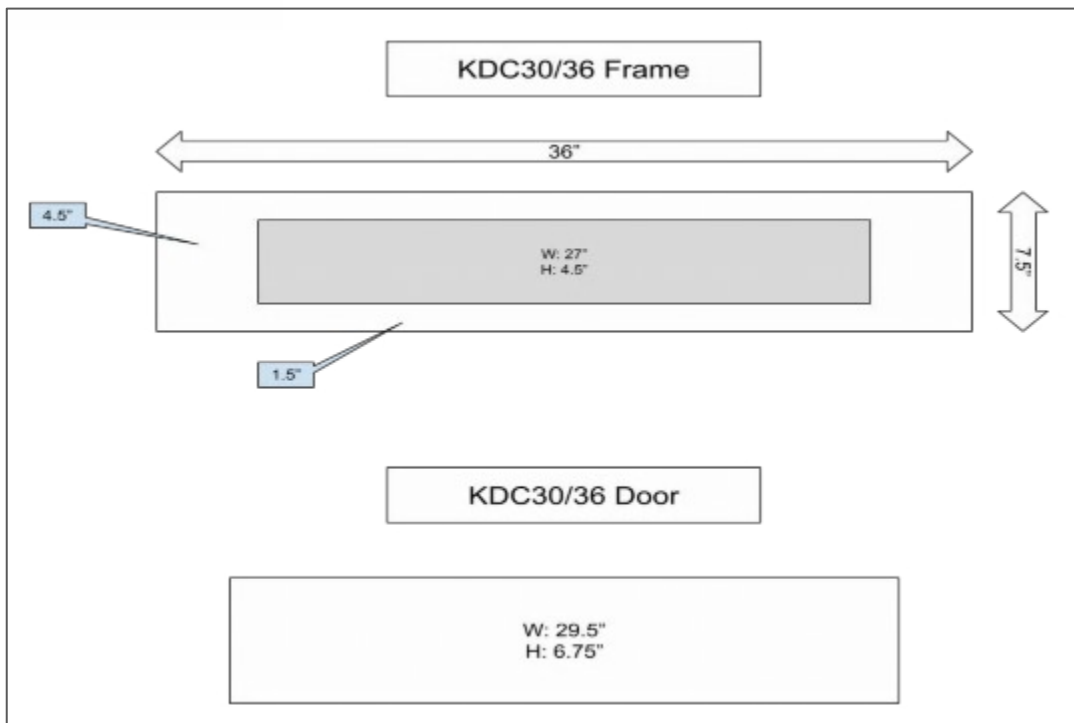
SKU	W	H	D
KDC30/36	36"	7.5"	21"

### Available Modifications

- Reduce depth - 1/2" increments to 15"

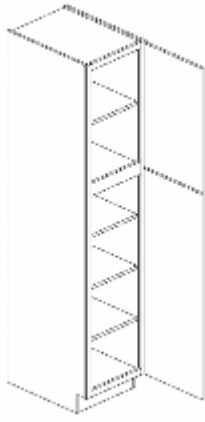
### Notes

- Total width is 36". There are 3" extended stiles on both sides of the drawer that can be trimmed down up to 3" each to create a 30" drawer overall.



# TALL CABINETS

## Tall Cabinets- Tall Pantry Single Door



SKU	W	H	D
TP188424	18"	84"	24"
TP189024	18"	90"	24"
TP189624	18"	96"	24"

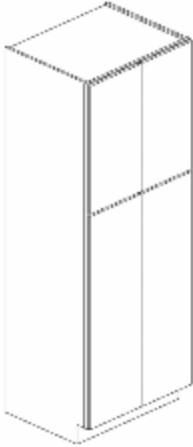
### Available Modifications

- Reduce depth - 1/2" increments to 6"
- Increase depth- 1/2" increments to 30"
- Ship doors loose
- Finished interior
- Prep doors for glass
- Reduce toe kick height- 1/2" increments to 0"

### Notes

- 84" & 90" high have 4 adjustable shelves
- 96" high has 5 adjustable shelves
- Shelf depth is 21"

## Tall Cabinets- Tall Pantry Double Door



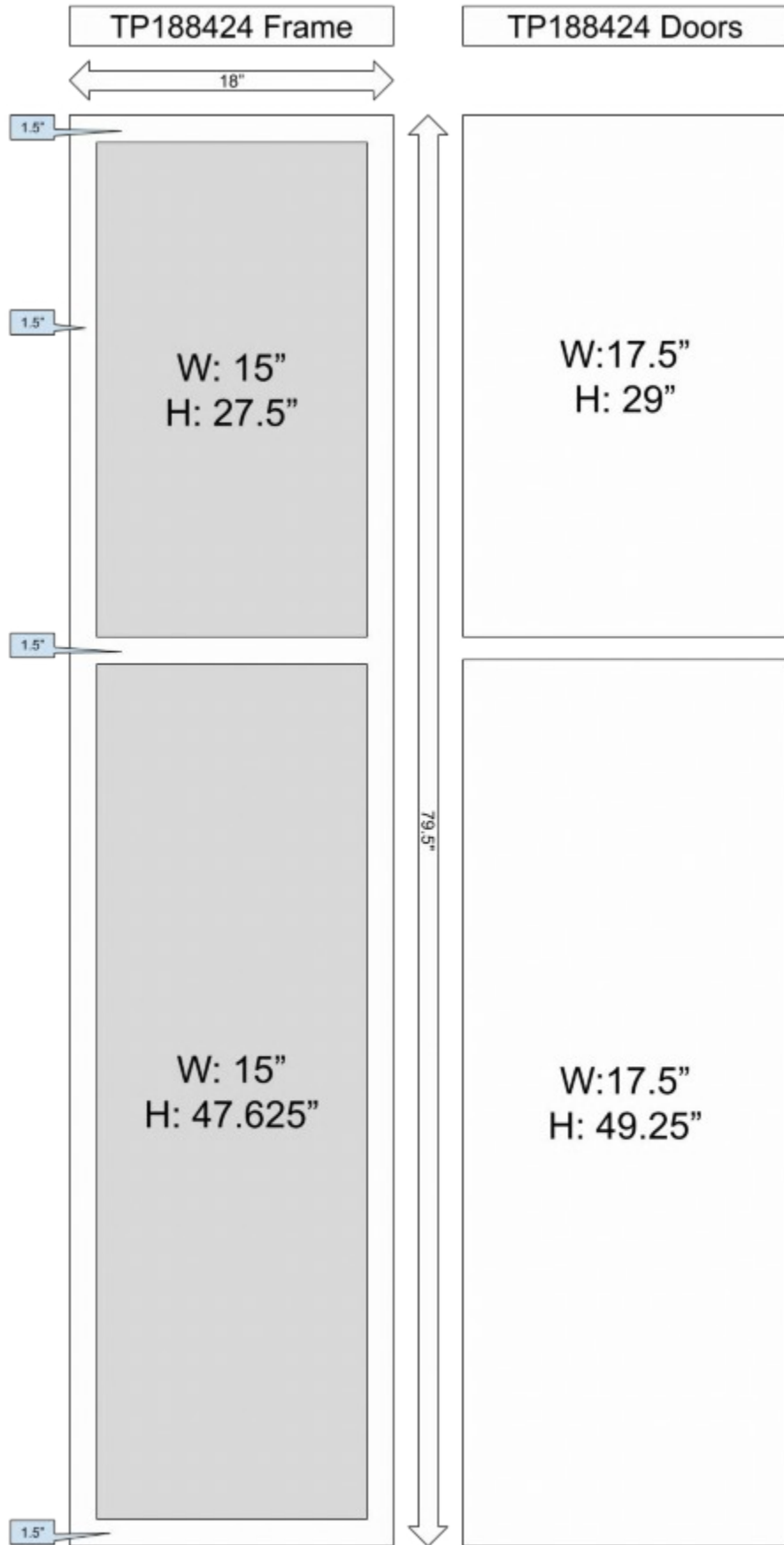
SKU	W	H	D
TP248424	24"	84"	24"
TP249024	24"	90"	24"
TP249624	24"	96"	24"
TP308424	30"	84"	24"
TP309024	30"	90"	24"
TP309624	30"	96"	24"

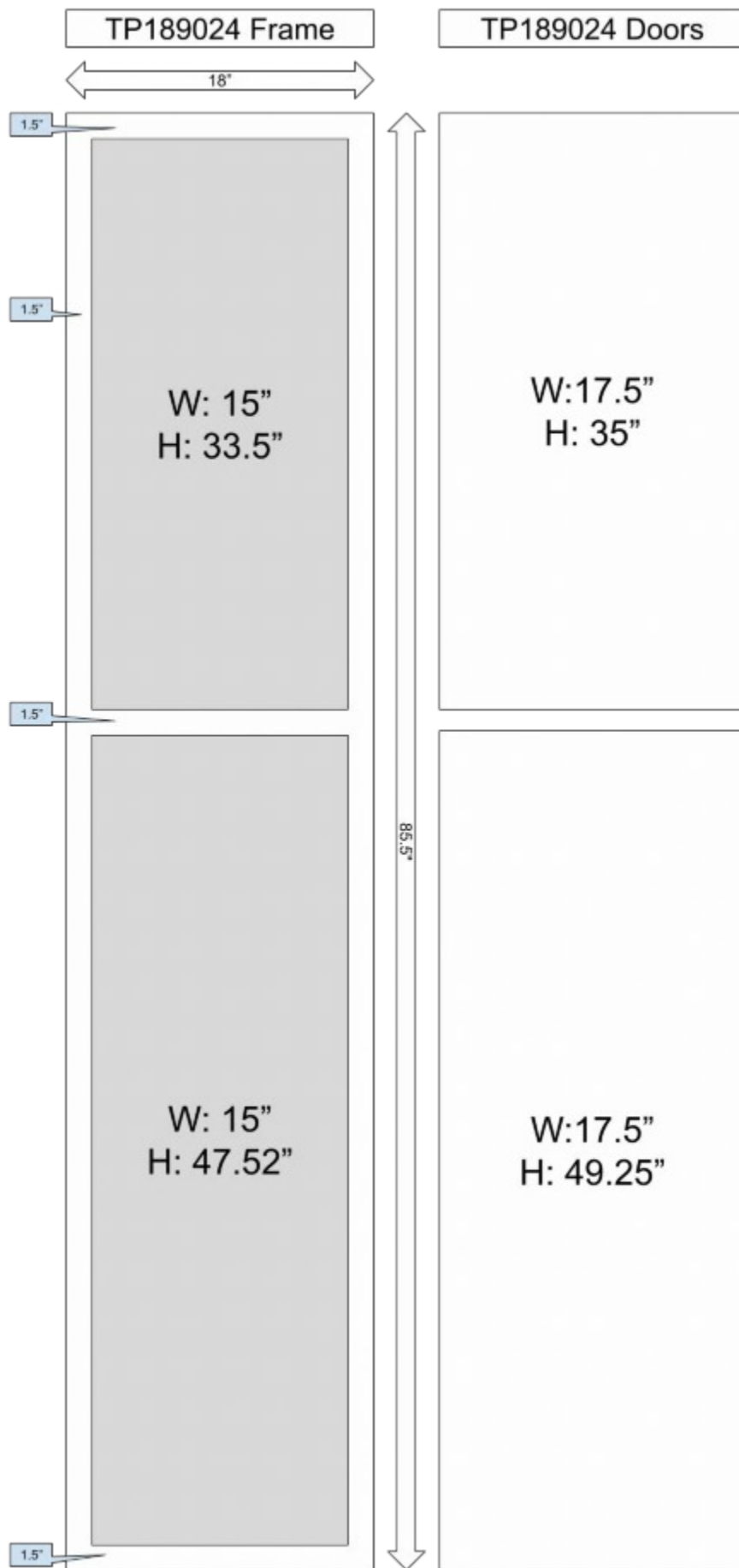
### Available Modifications

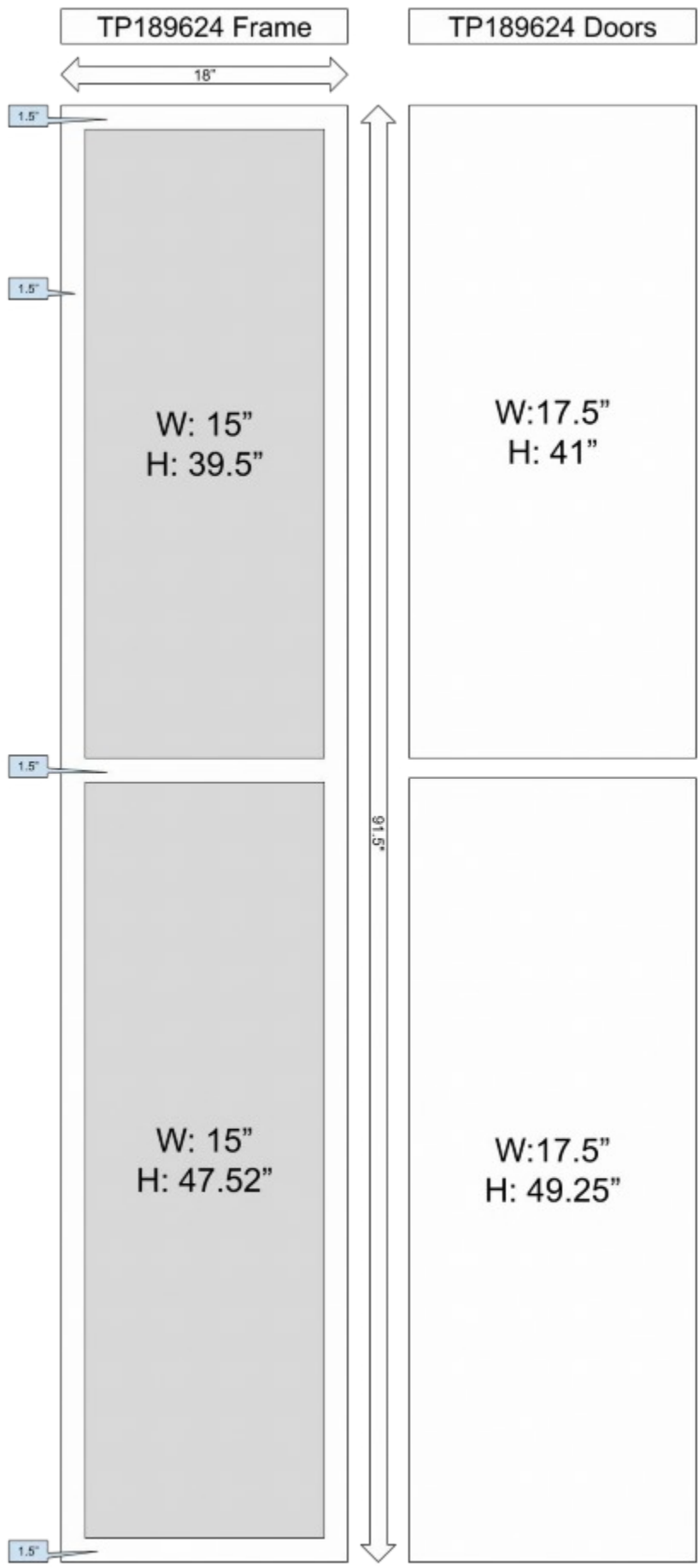
- Reduce depth - 1/2" increments to 6"
- Increase depth- 1/2" increments to 30"
- Ship doors loose
- Finished interior
- Prep doors for glass
- Reduce toe kick height- 1/2" increments to 0"

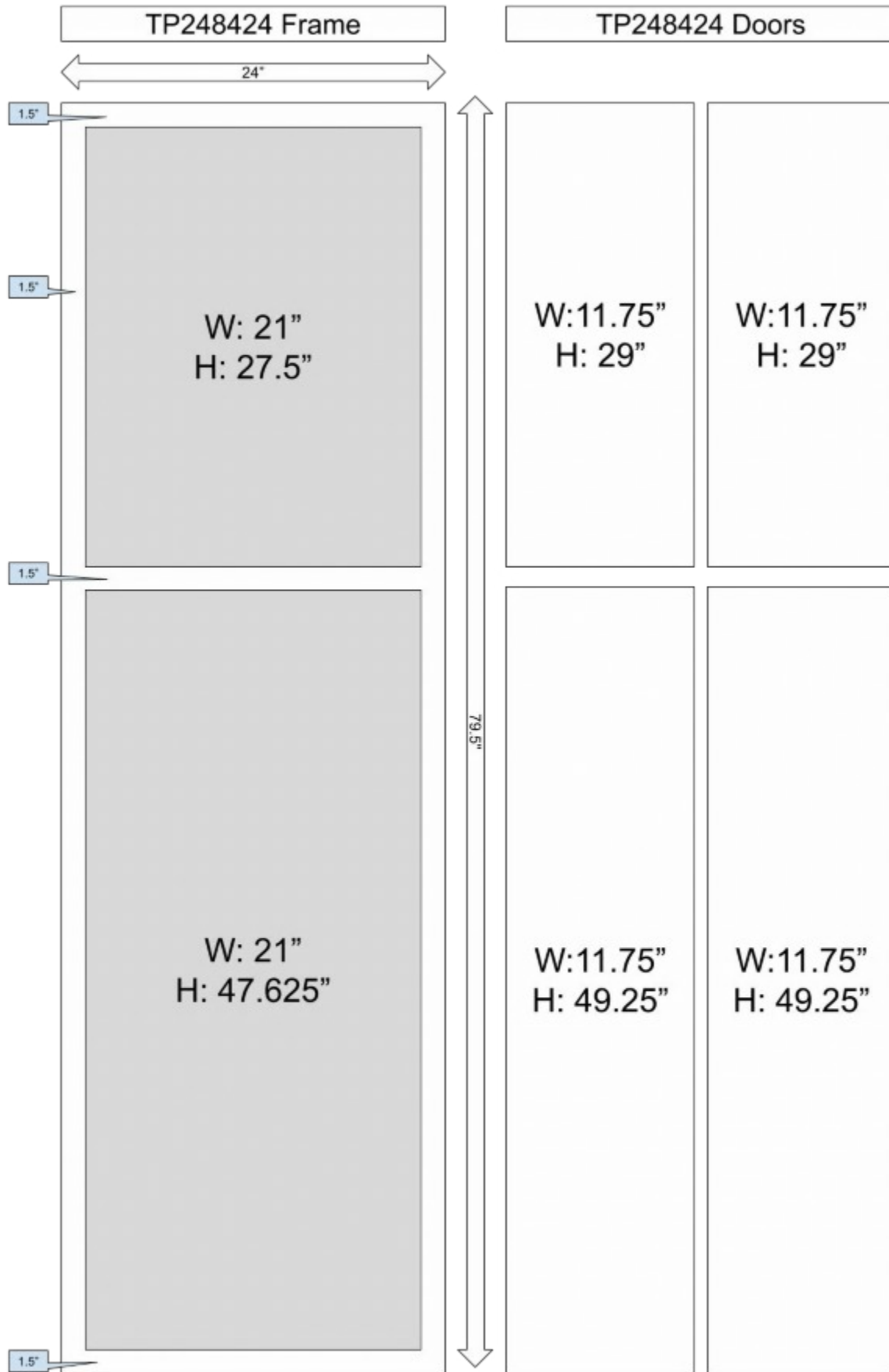
### Notes

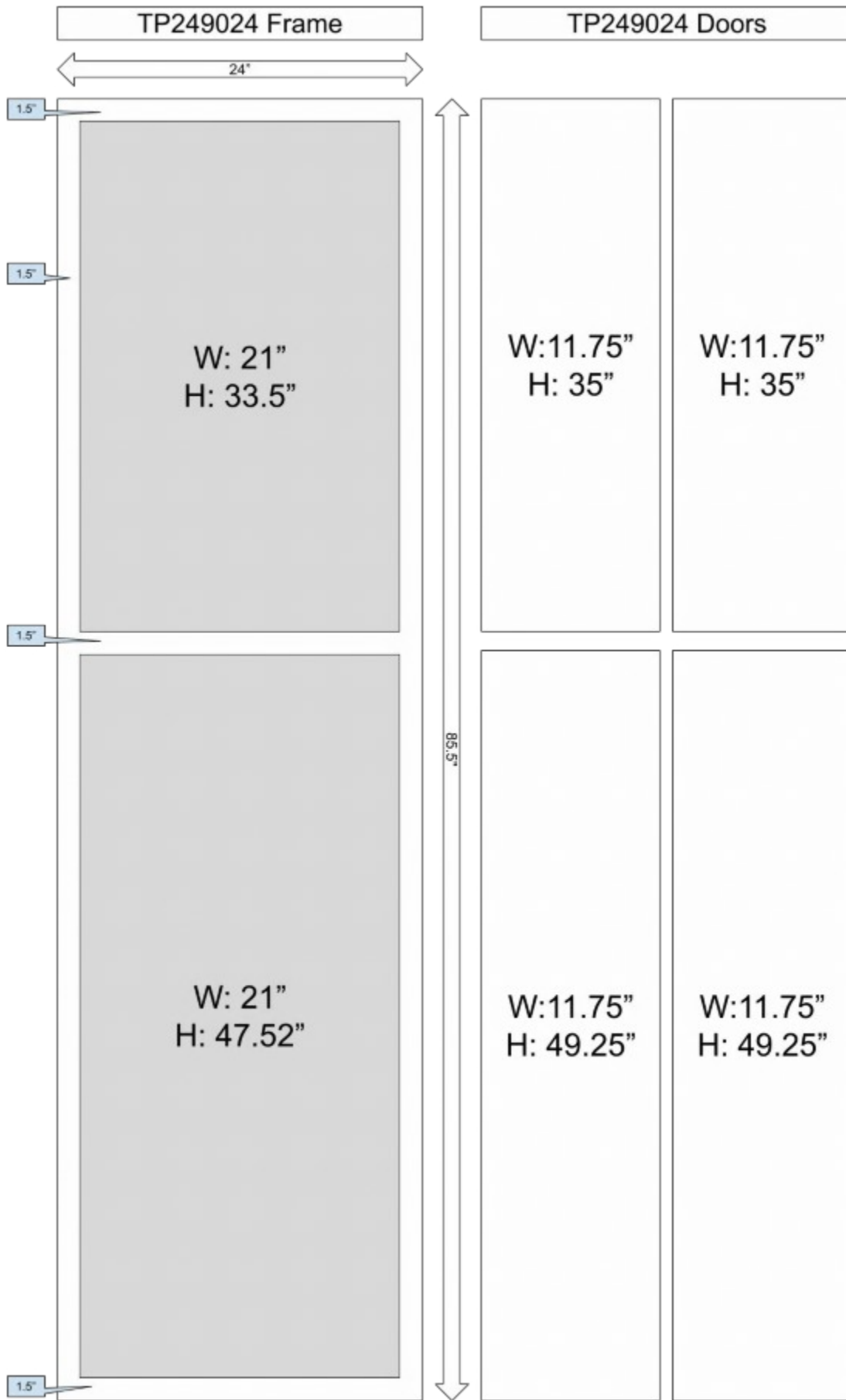
- 84" & 90" high have 4 adjustable shelves
- 96" high has 5 adjustable shelves
- Shelf depth is 21"

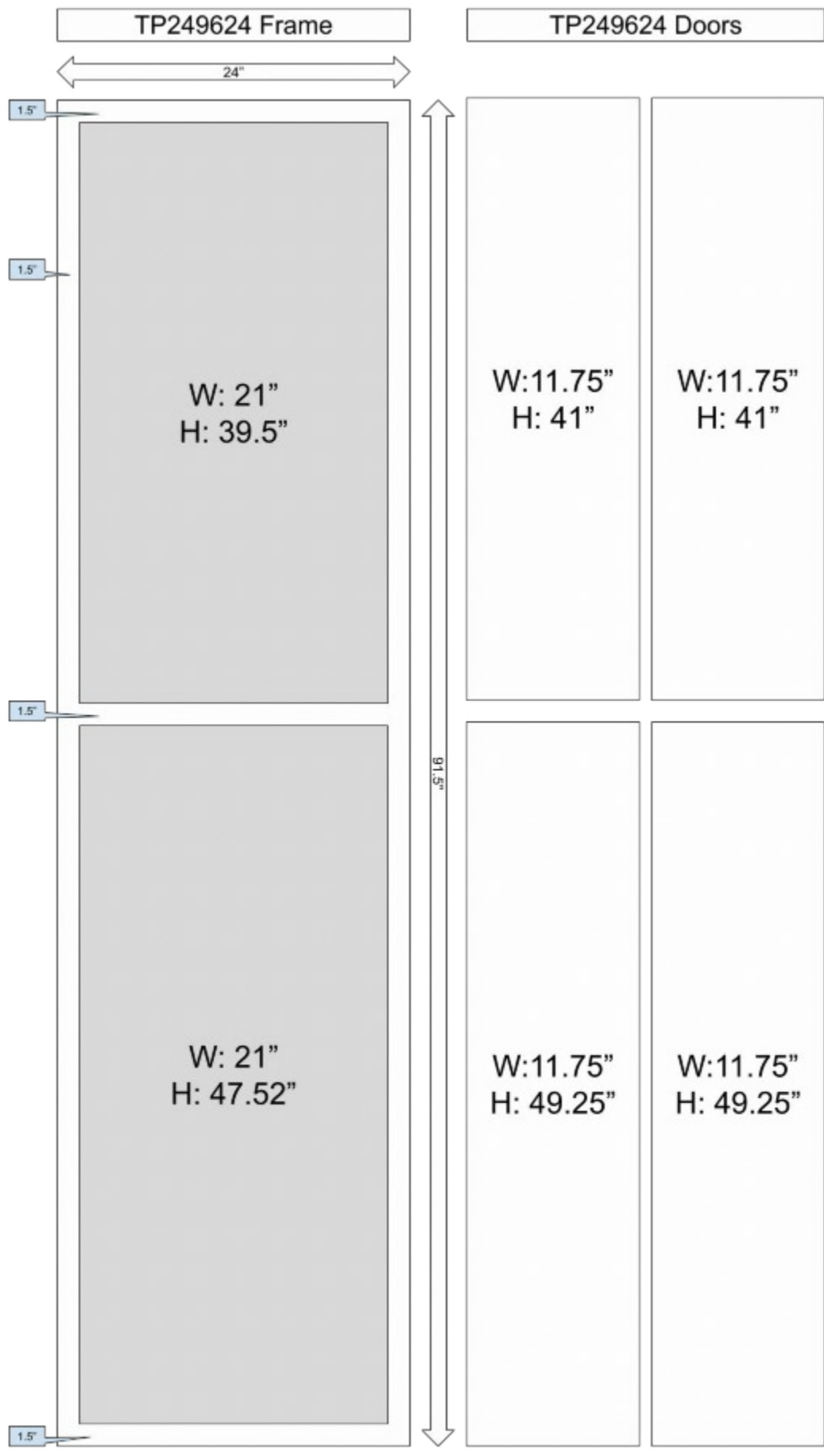


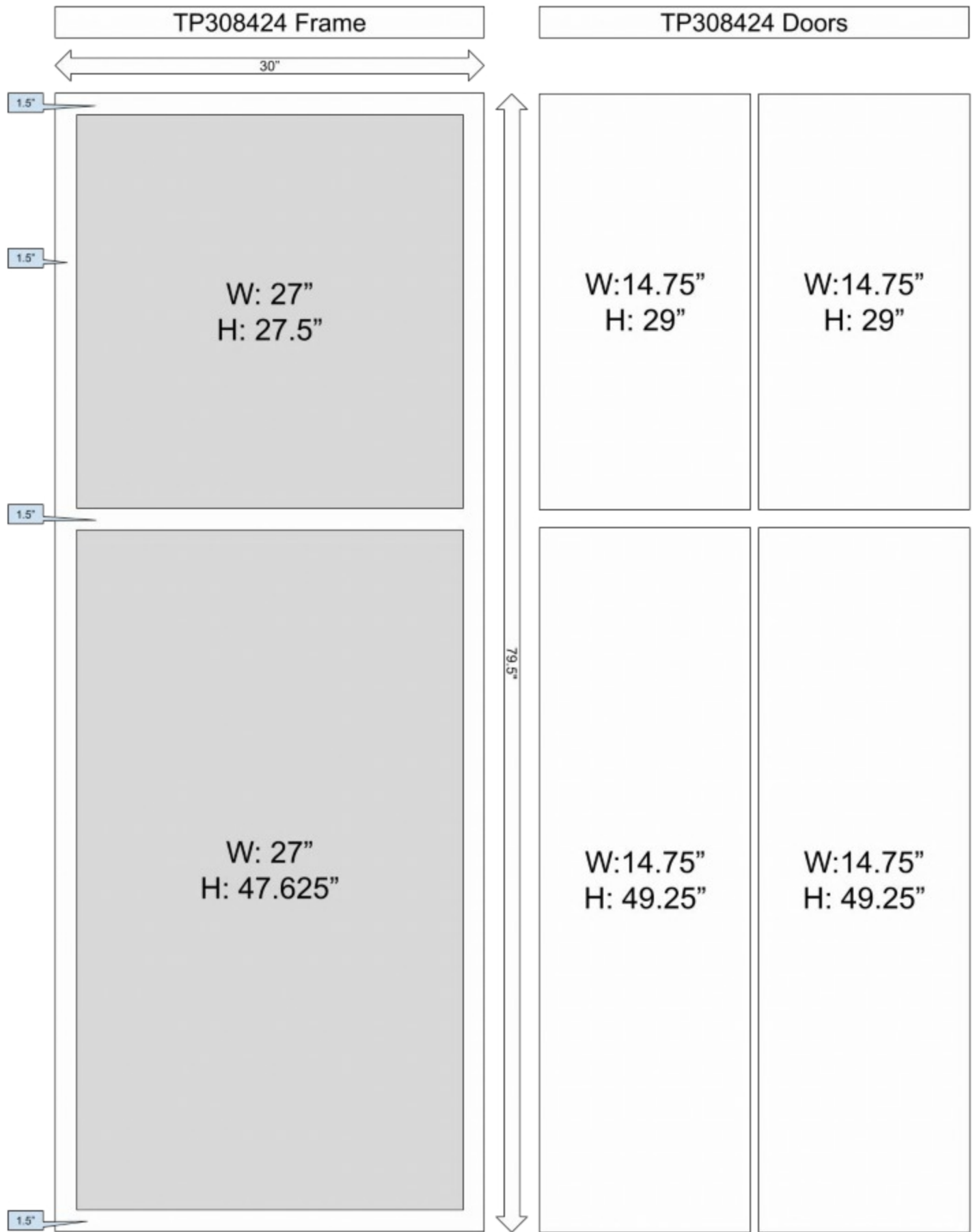


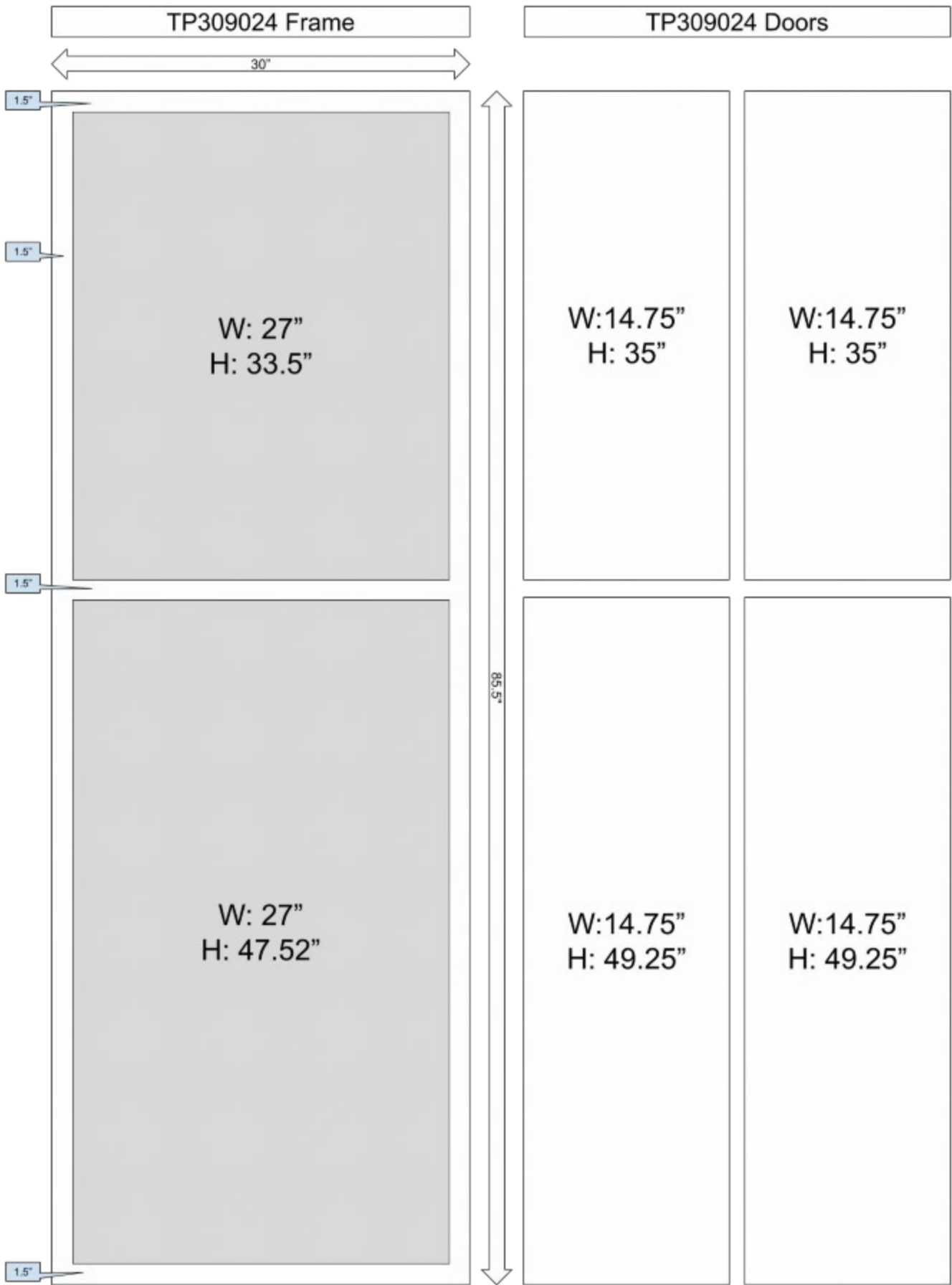


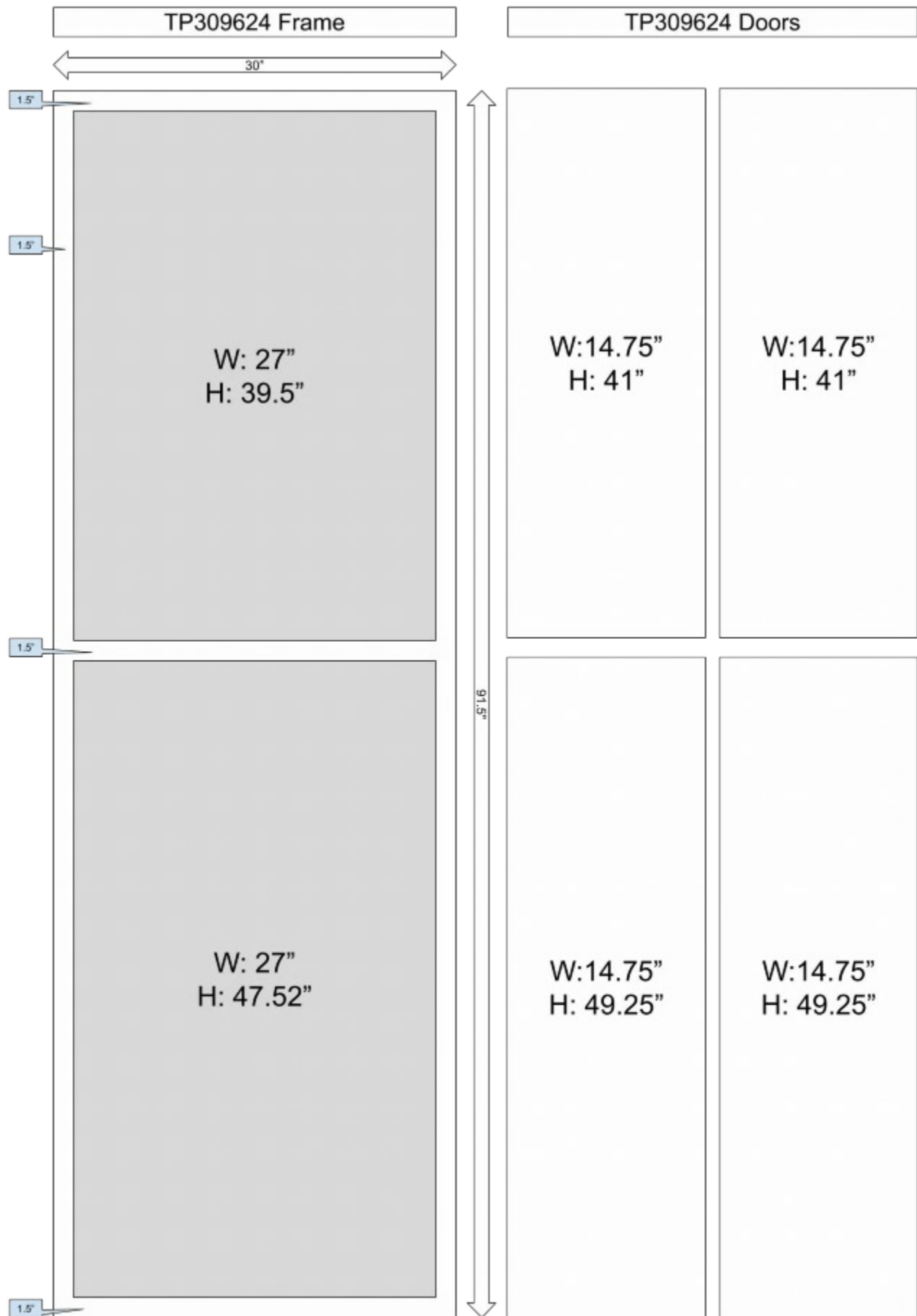




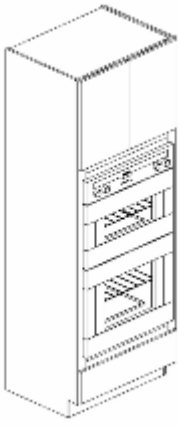








## Tall Cabinets- Double Oven Cabinet



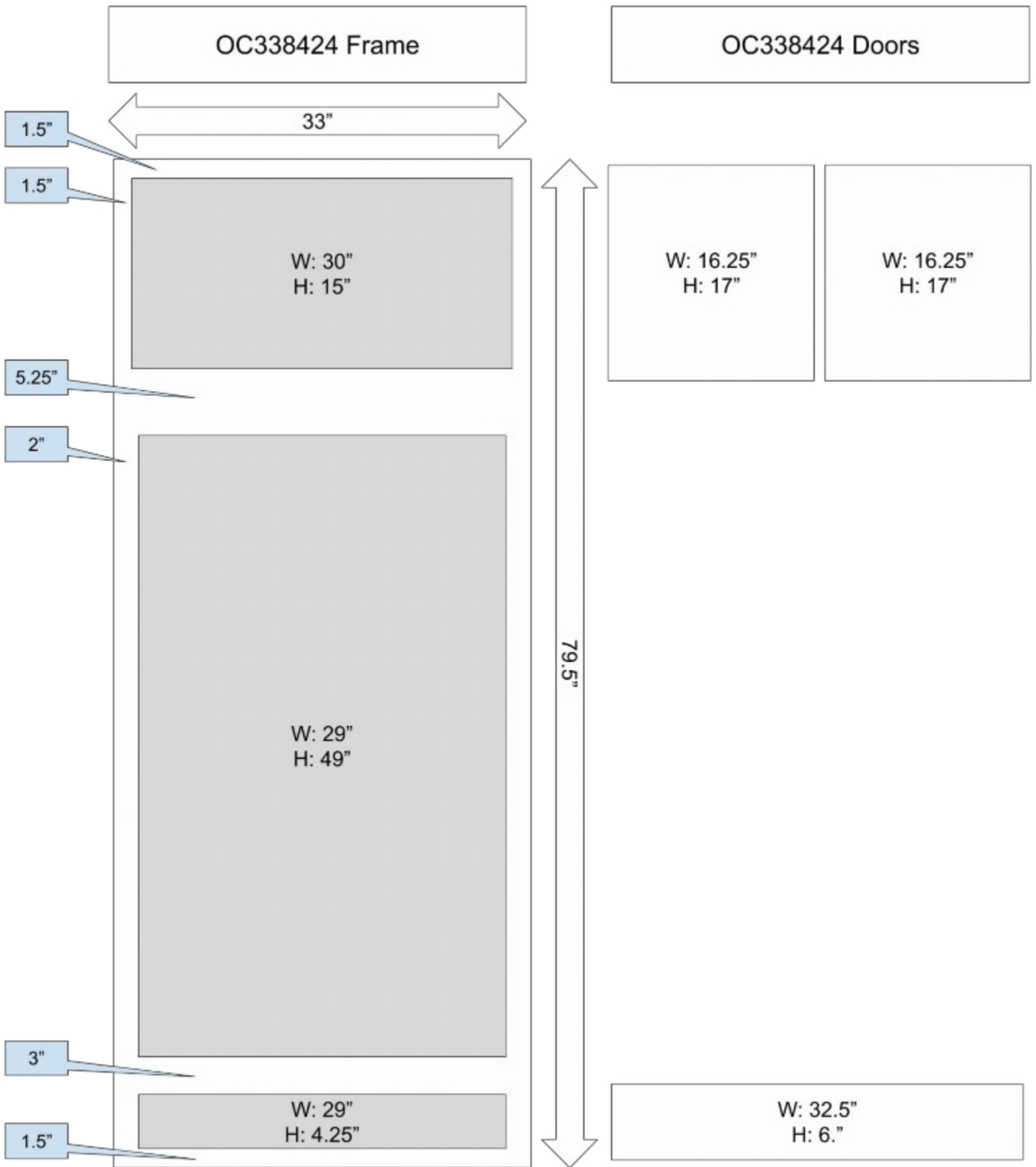
SKU	W	H	D
OC338424	33"	84"	24"
OC339024	33"	90"	24"
OC339624	33"	96"	24"

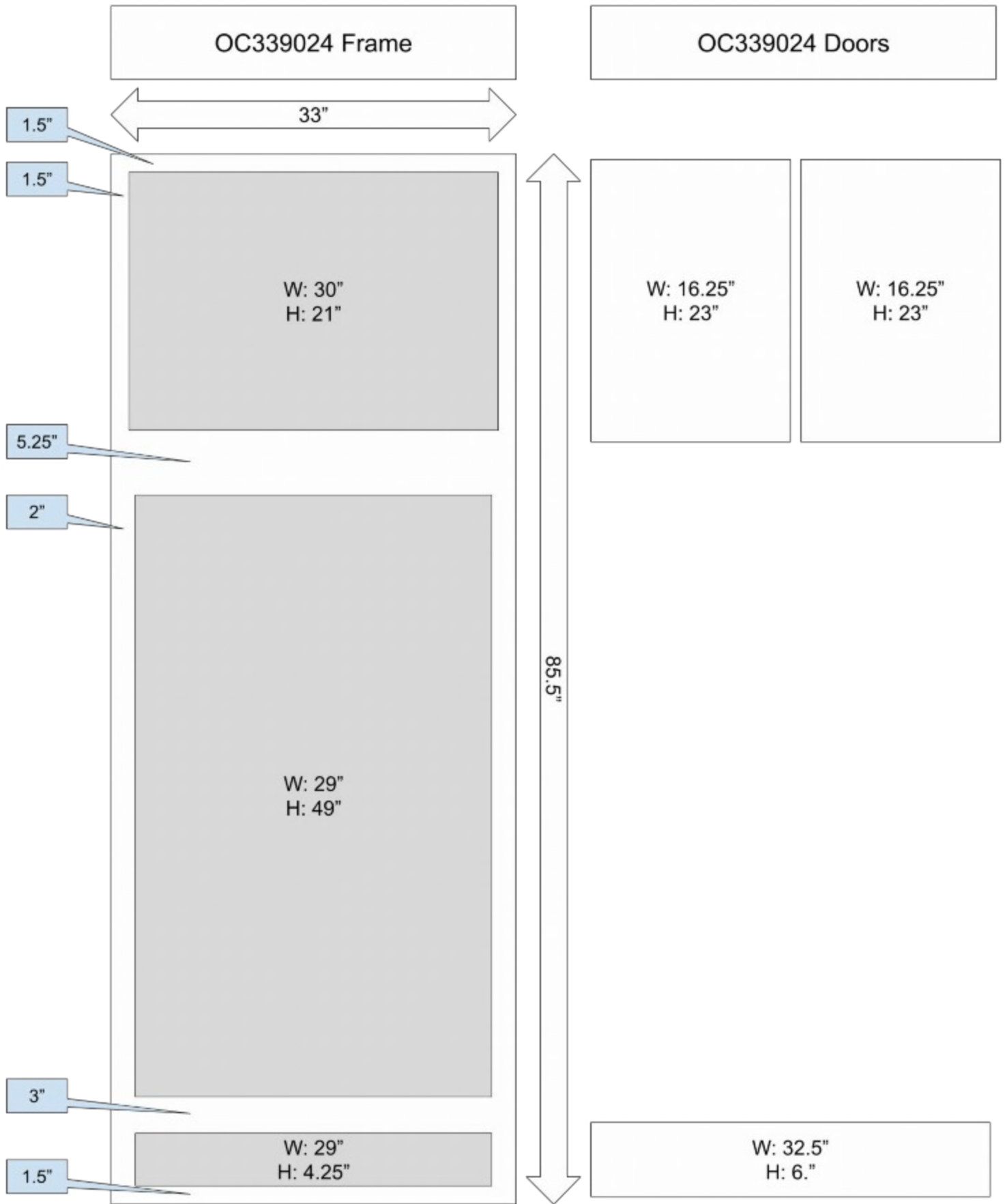
### Available Modifications

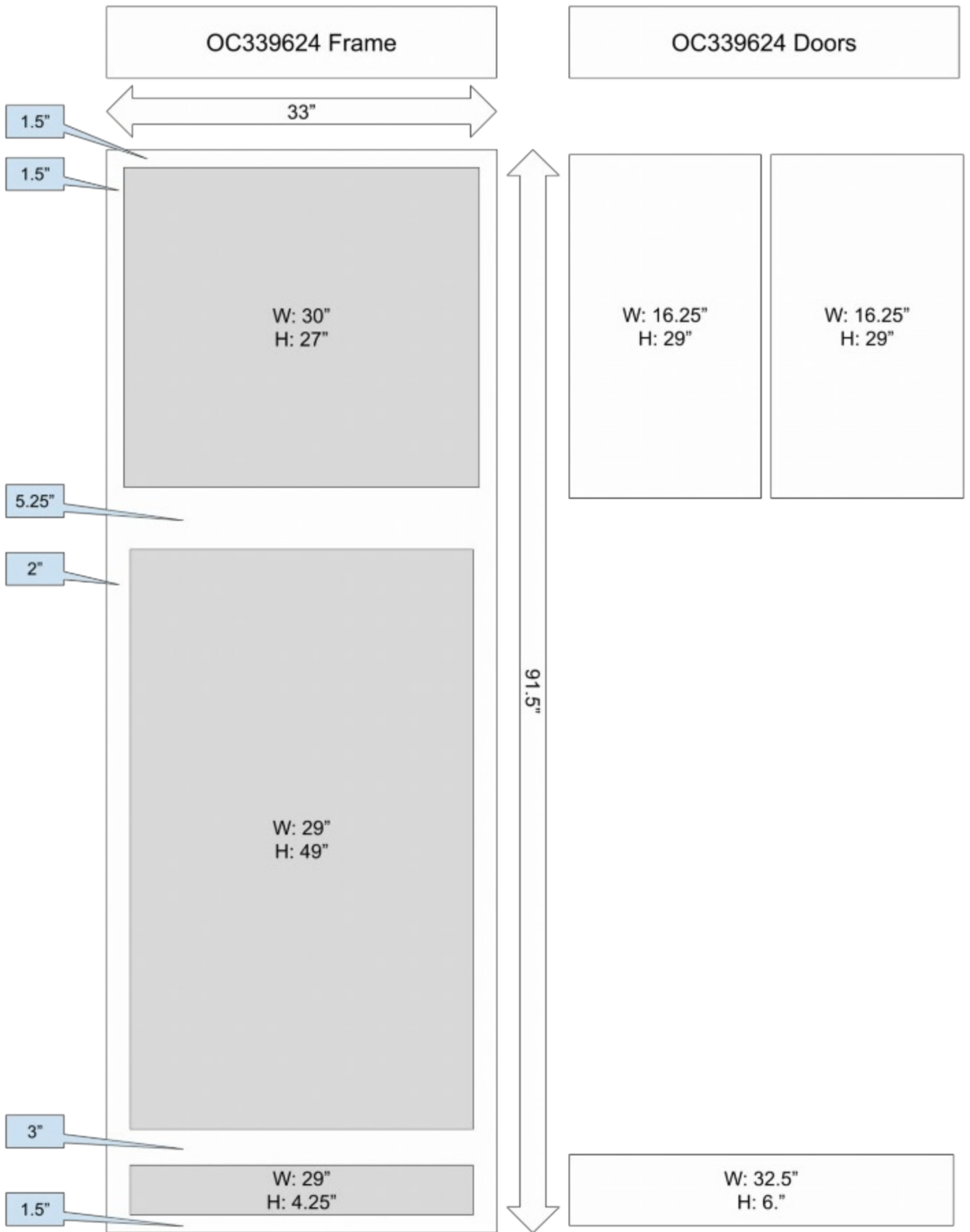
- Reduce depth - 1/2" increments to 15"
- Prep doors for glass
- Ship doors loose
- Finished interior
- Reduce toe kick height- 1/2" increments to 0"

### Notes

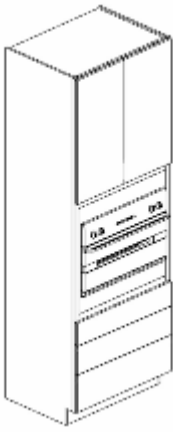
- All oven opening cuts to be done in the field by the customer.
- If out of stock, use OCS33\_\_-3







# Tall Cabinets- Single Oven Cabinet



SKU	W	H	D
OCS3384-1	33"	84"	24"
OCS3384-2	33"	84"	24"
OCS3384-3	33"	84"	24"
OCS3390-1	33"	90"	24"
OCS3390-2	33"	90"	24"
OCS3390-3	33"	90"	24"
OCS3396-1	33"	96"	24"
OCS3396-2	33"	96"	24"
OCS3396-3	33"	96"	24"

## Available Modifications

- Reduce depth - ½" increments to 15"
- Prep doors for glass
- Ship doors loose
- Finished interior
- Reduce toe kick height- ½" increments to 0"

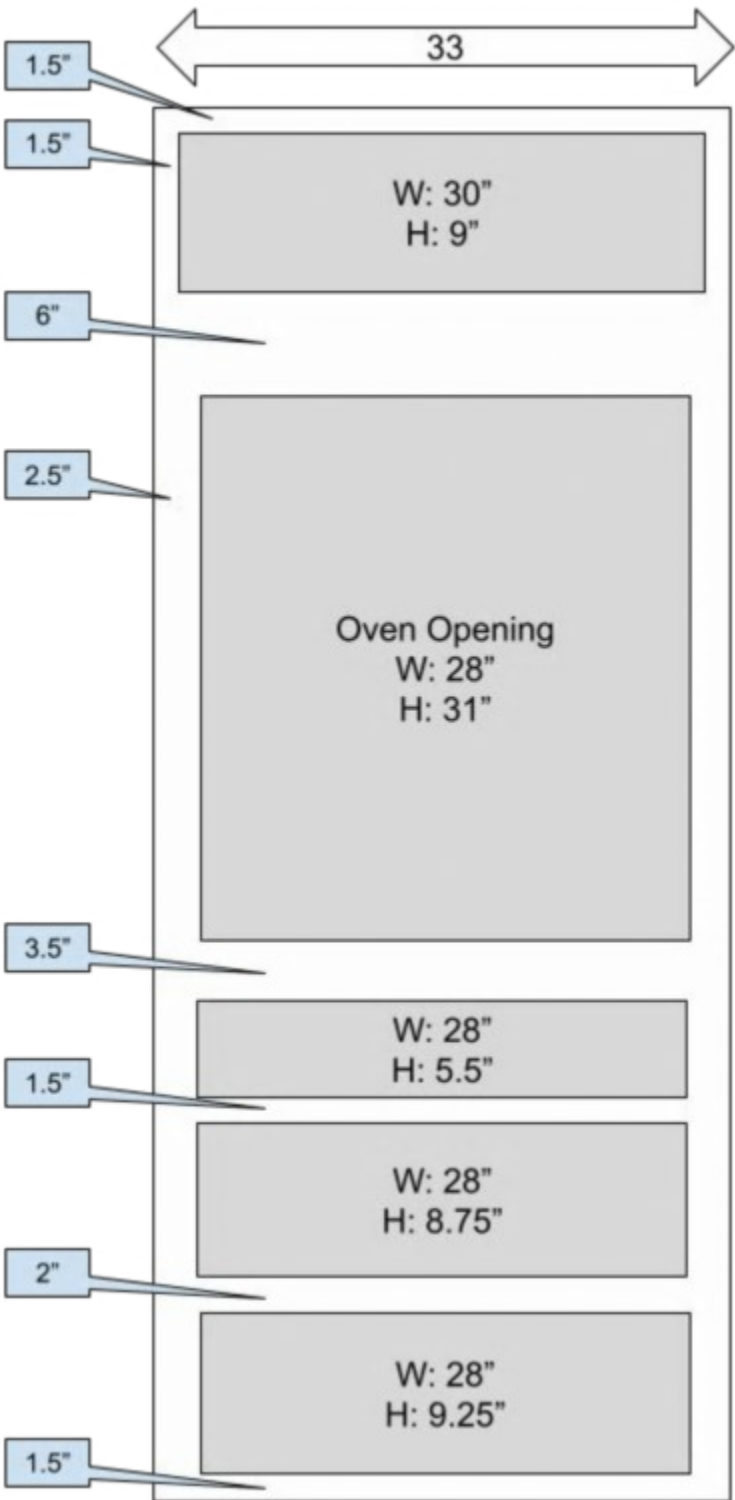
## Notes

- All oven opening cuts to be done in the field by the customer.
- Can be ordered with 1, 2, or 3 drawers.
- -1 indicates 1 drawer, -2 indicates 2 drawers, -3 indicates 3 drawers.
- If ordered RTA flatpack, the cabinet will come with all 3 drawers, you must modify the frame and box in the field to accommodate the # of drawers you need.
- This cabinet may be used for single ovens, oven/microwave combos, and double ovens depending on appliance dimensions. Please reference openings before ordering.

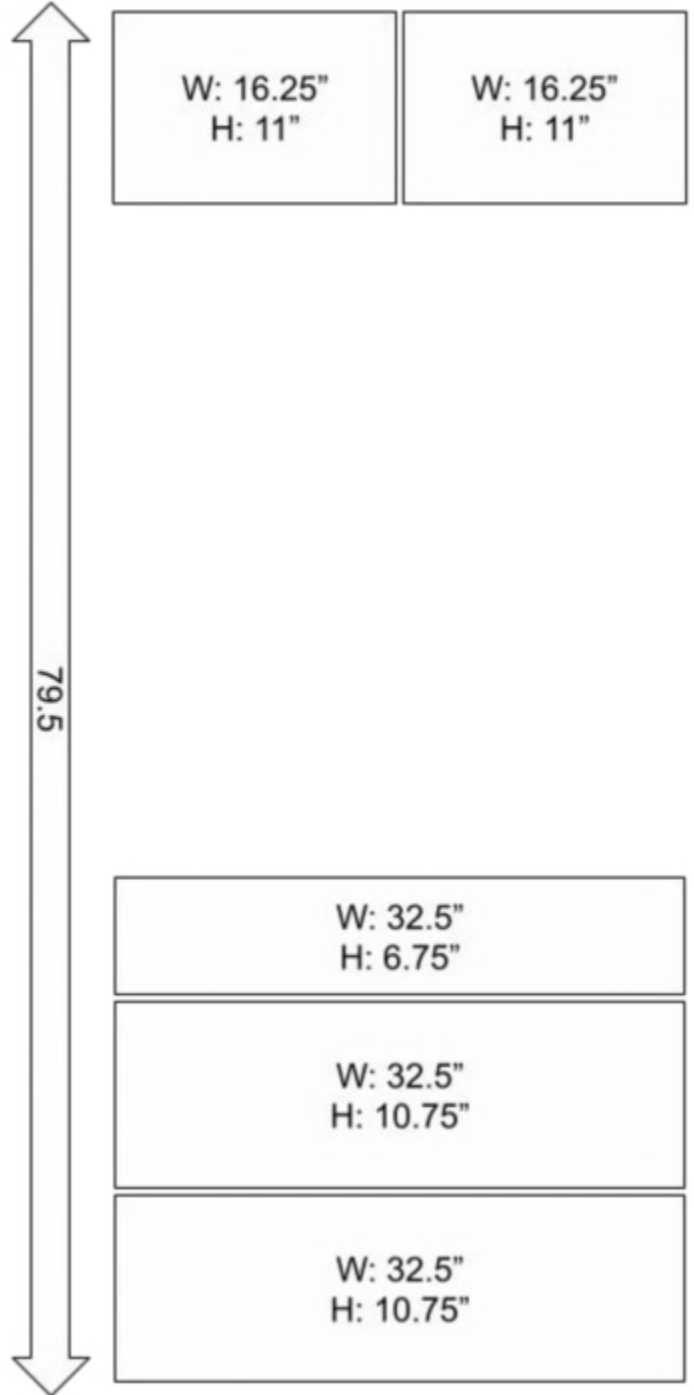
## Special Availability

- These SKUS are only available at select locations.
- Availability may vary by style and color.
- Please check your local portal for availability.

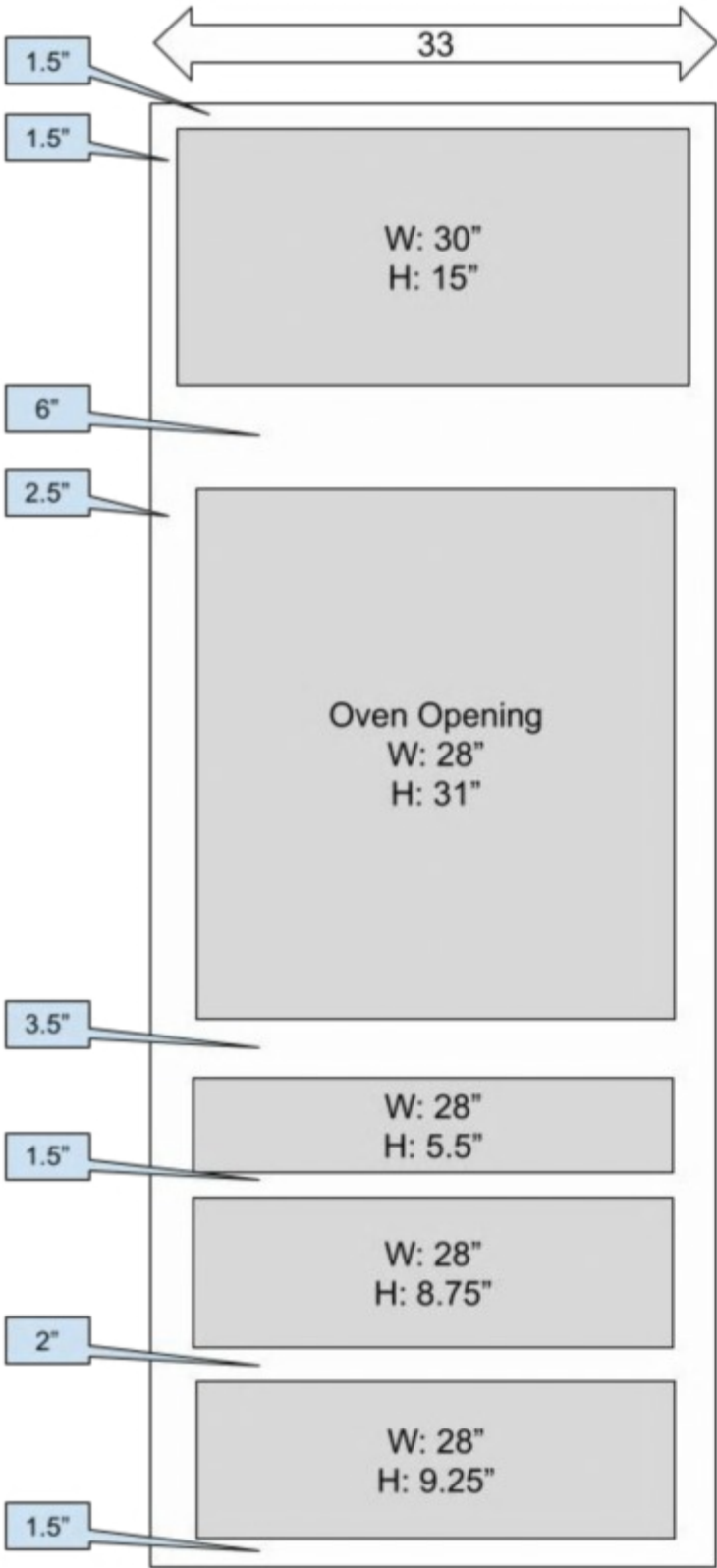
# OCS338424-3 Frame



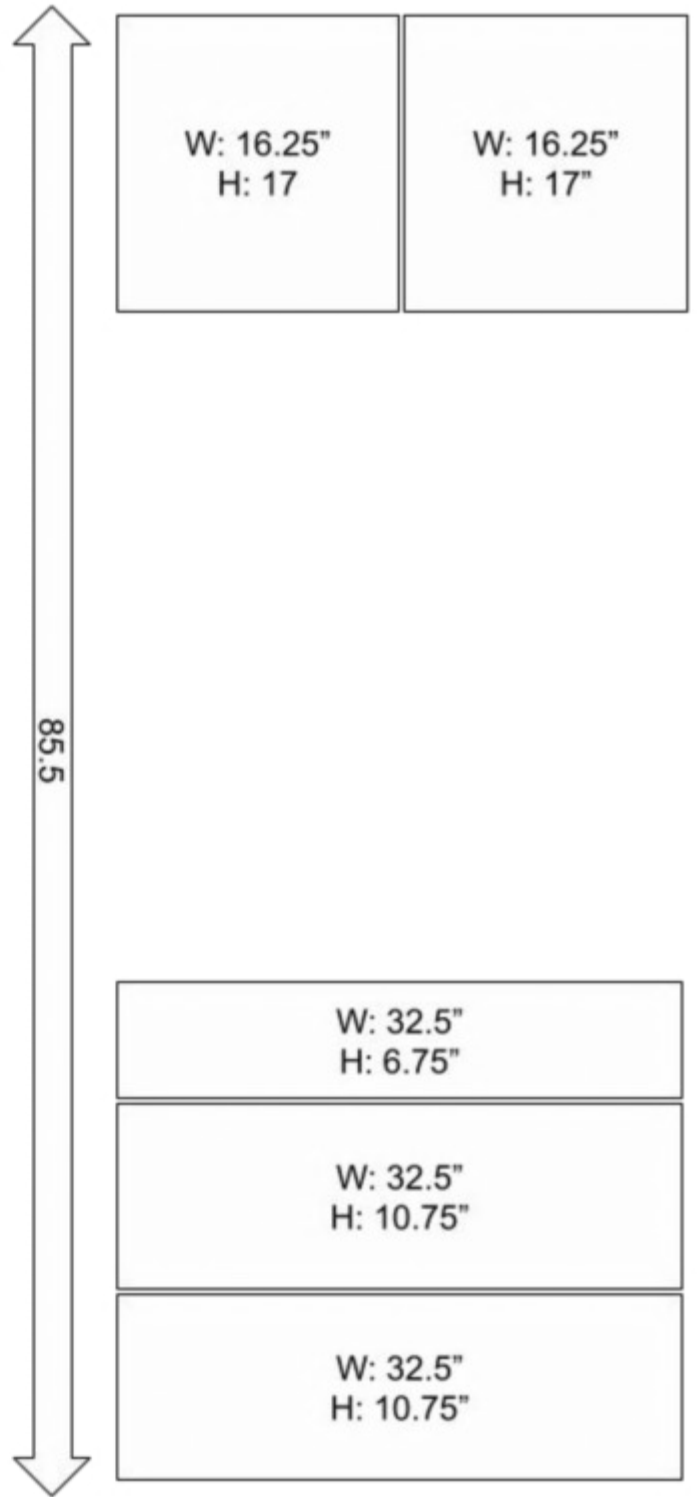
# OCS338424 Doors/Drawers



OCS339024-3 Frame

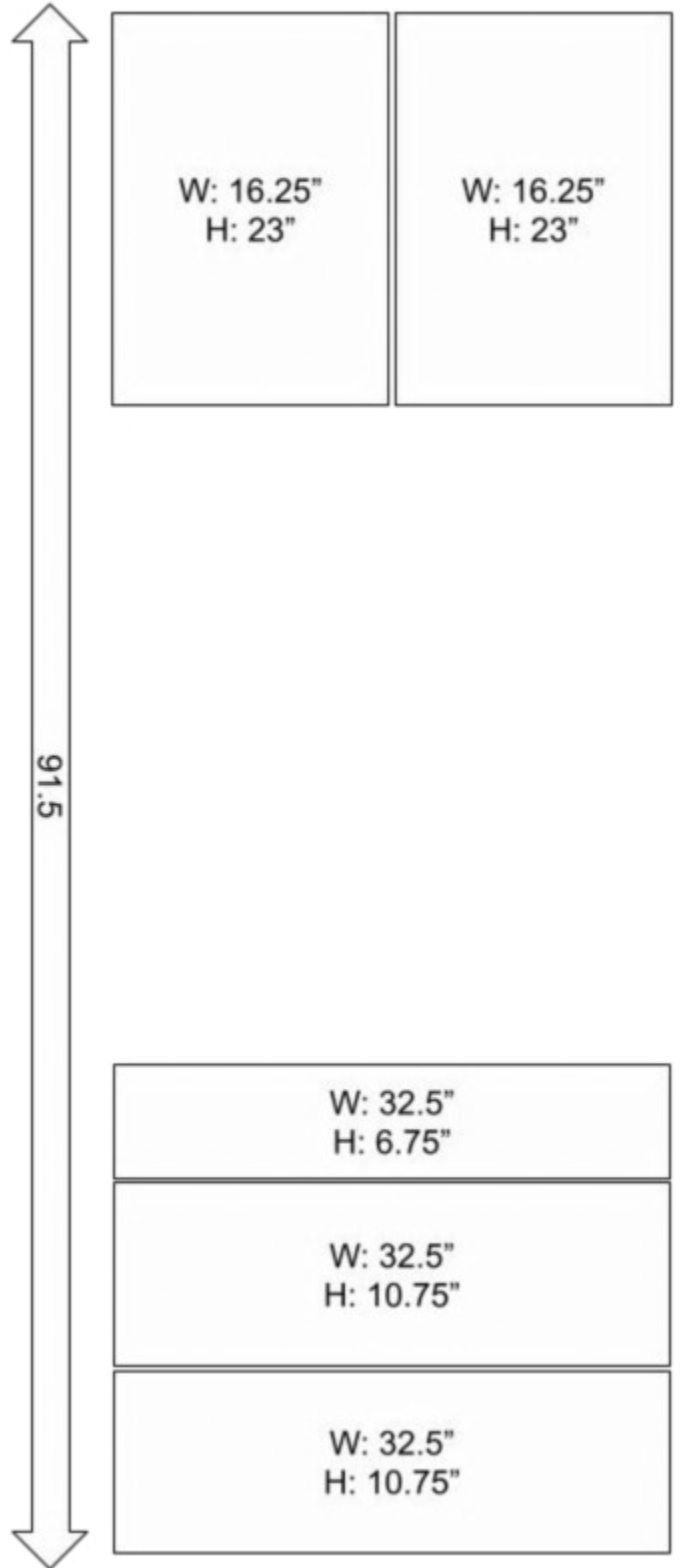
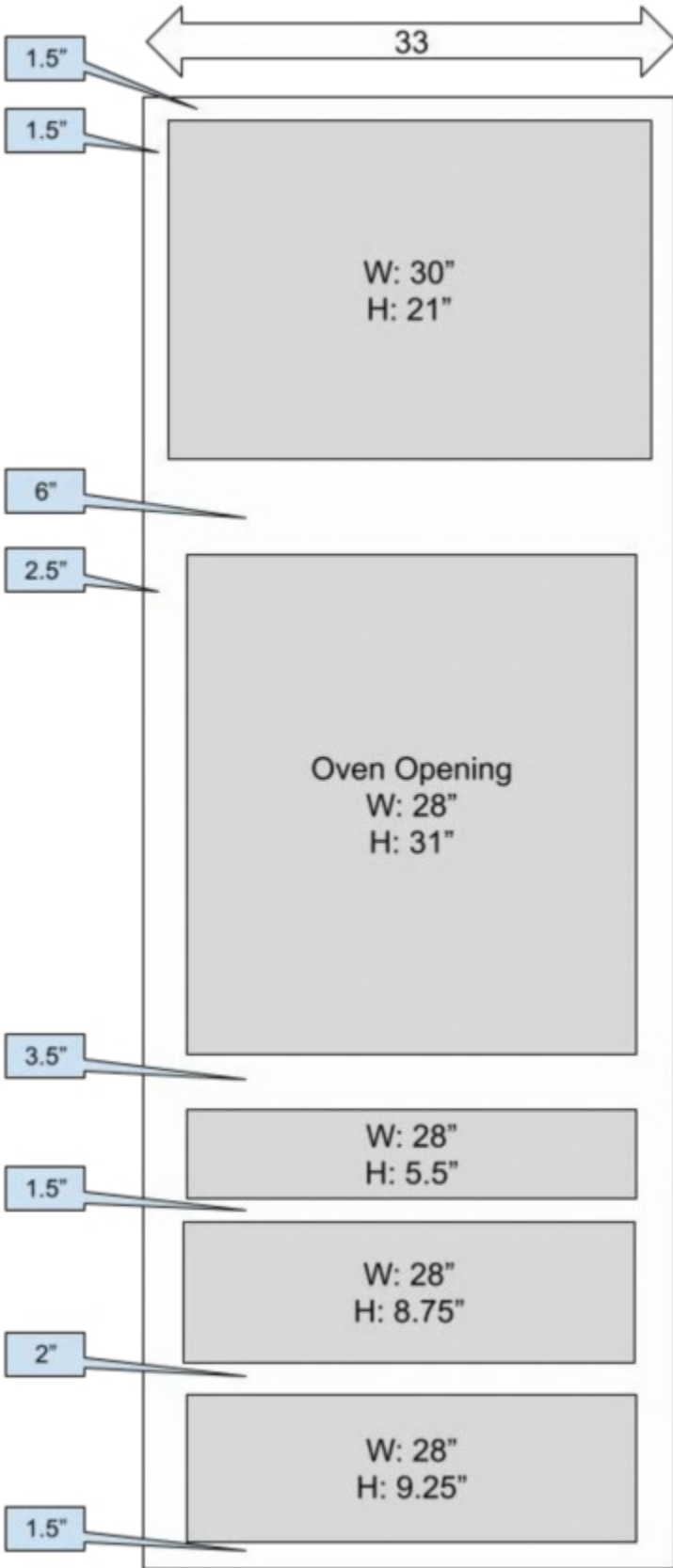


OCS339024  
Doors/Drawers



OCS339624-3 Frame

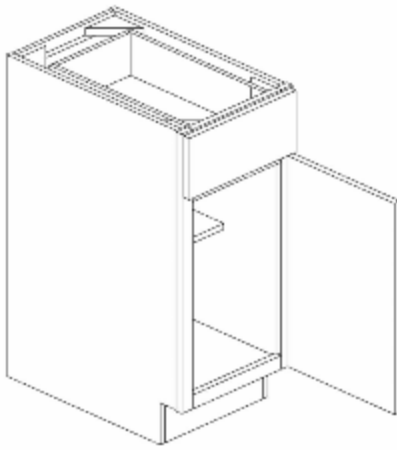
OCS339624  
Doors/Drawers





# VANITY CABINETS

## Vanity Cabinets- Single Door Base With Drawer



SKU	W	H	D
VB12	12"	34.5"	21"
VB15	15"	34.5"	21"

### Available Modifications

- Reduce depth - ½" increments to 15"
- Prep door for glass
- Reduce toe kick height- ½" increments to 0"
- Void top drawer
- Ship door loose

### Notes

- 1 adjustable shelf

## Vanity Cabinets- 3 Drawer Base

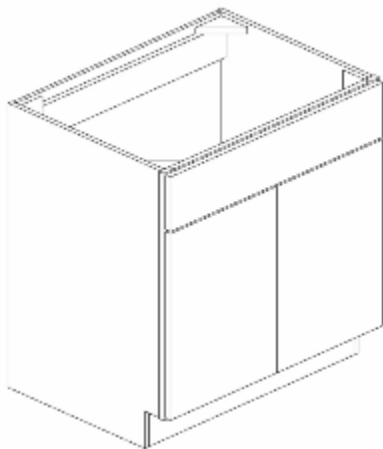


SKU	W	H	D
VDB12	12"	34.5"	21"
VDB15	15"	34.5"	21"
VDB18	18"	34.5"	21"
VDB24	24"	34.5"	21"

### Available Modifications

- Reduce depth - ½" increments to 15"
- Reduce toe kick height- ½" increments to 0"
- Void top drawer
- Make bench cabinet (17¼" Height)

## Vanity Cabinet- Sink Base With 1 False Drawer



SKU	W	H	D
VS24	24"	34.5"	21"
VS30	30"	34.5"	21"
VS36	36"	34.5"	21"

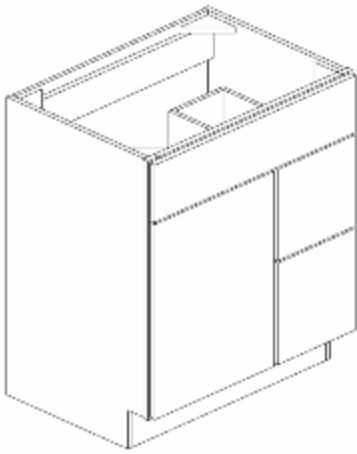
### Available Modifications

- Reduce depth - ½" increments to 6"
- Reduce toe kick height- ½" increments to 0"
- Ship doors loose

### Notes

- To create a VS27, use a B27 and void the top drawer and reduce the depth to 21".
- No center stile

# Vanity Cabinets- 30" & 36" Combo Sink Base With 2 Drawers



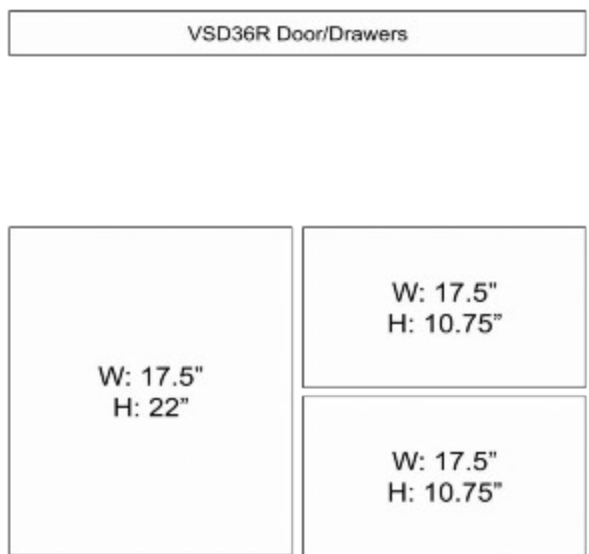
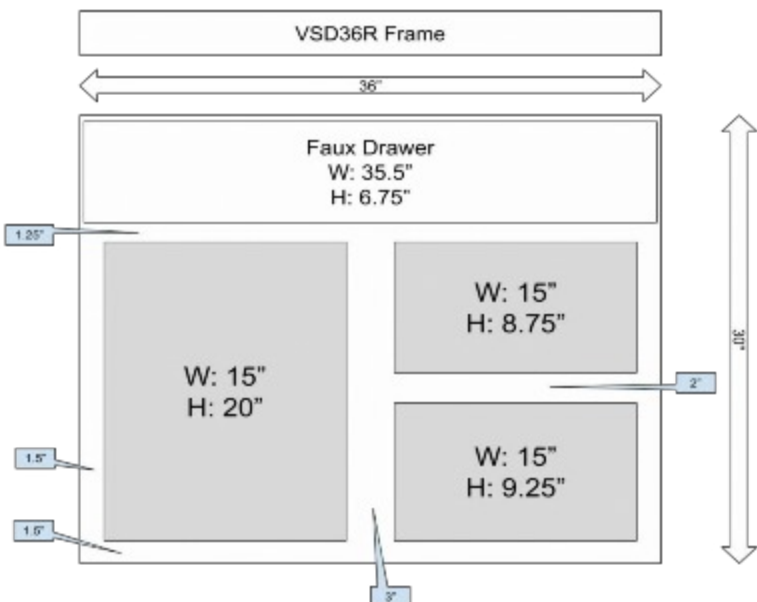
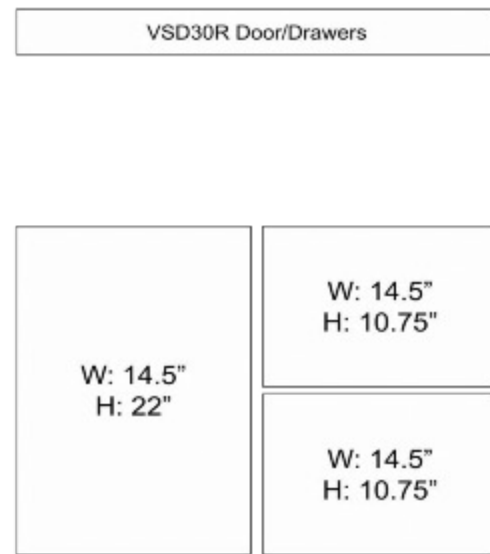
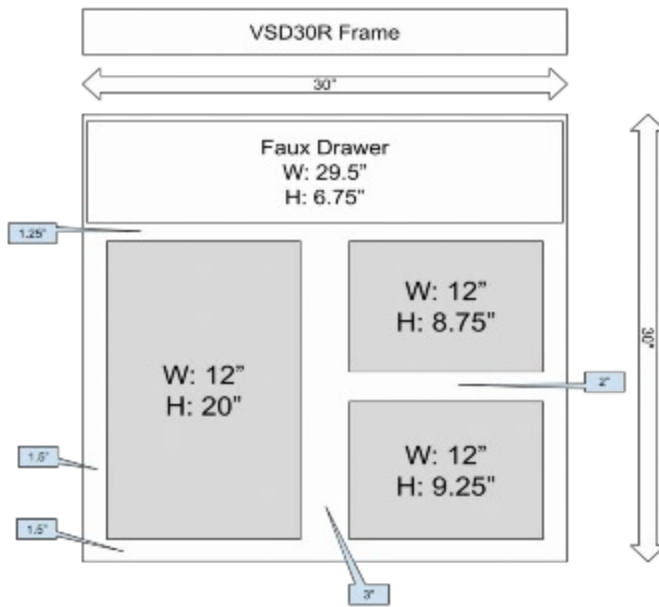
SKU	W	H	D
VSD30L	30"	34.5"	21"
VSD30R	30"	34.5"	21"
VSD36L	36"	34.5"	21"
VSD36R	36"	34.5"	21"

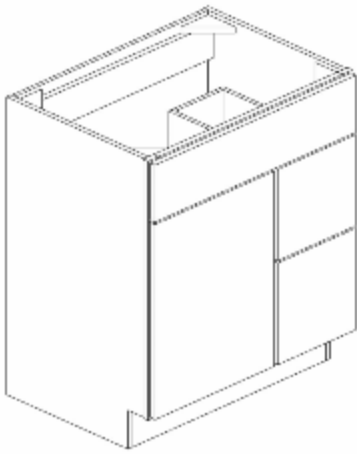
### Available Modifications

- Reduce depth - 1/2" increments to 15"
- Reduce toe kick height- 1/2" increments to 0"
- Void top drawer
- Ship door loose

### Notes

- R indicates drawers on the right (shown in drawing)
- L indicates drawers on the left
- Both L & R variants door can be hinged either right or left





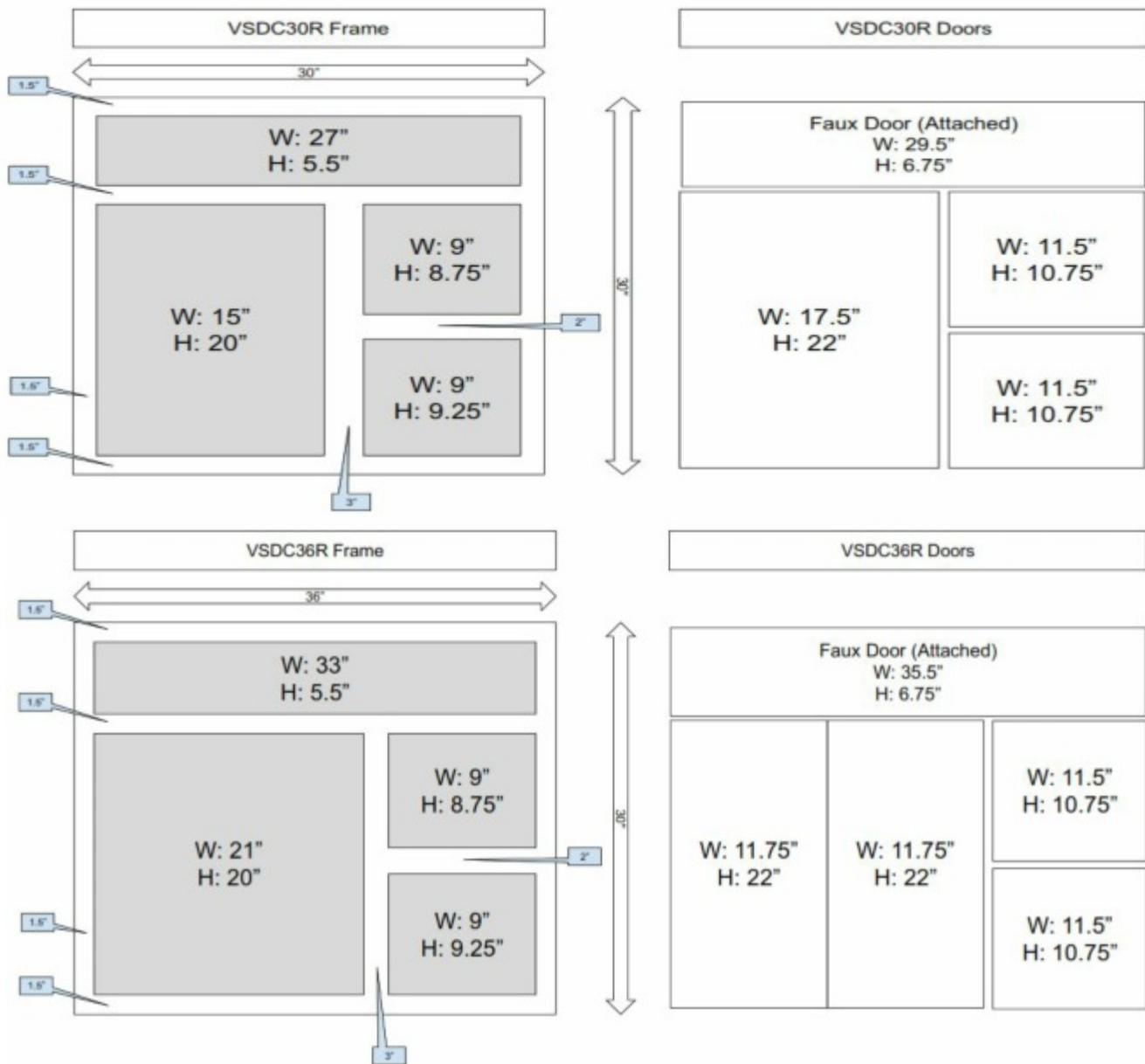
SKU	W	H	D
VSDC30L	30"	34.5"	21"
VSDC30R	30"	34.5"	21"
VSDC36L	36"	34.5"	21"
VSDC36R	36"	34.5"	21"

**Available Modifications**

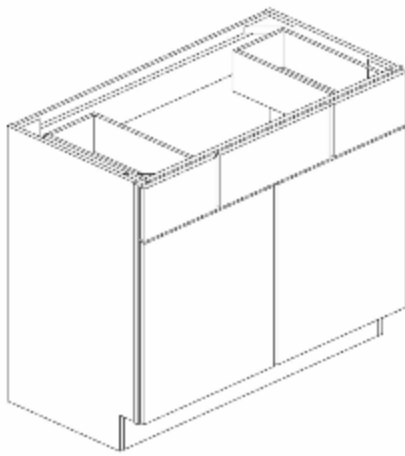
- Reduce depth - 1/2" increments to 15"
- Reduce toe kick height- 1/2" increments to 0"
- Void top drawer
- Ship door loose

**Notes**

- R indicates drawers on the right (shown in drawing)
- L indicates drawers on the left
- Both L & R variants door can be hinged either right or left



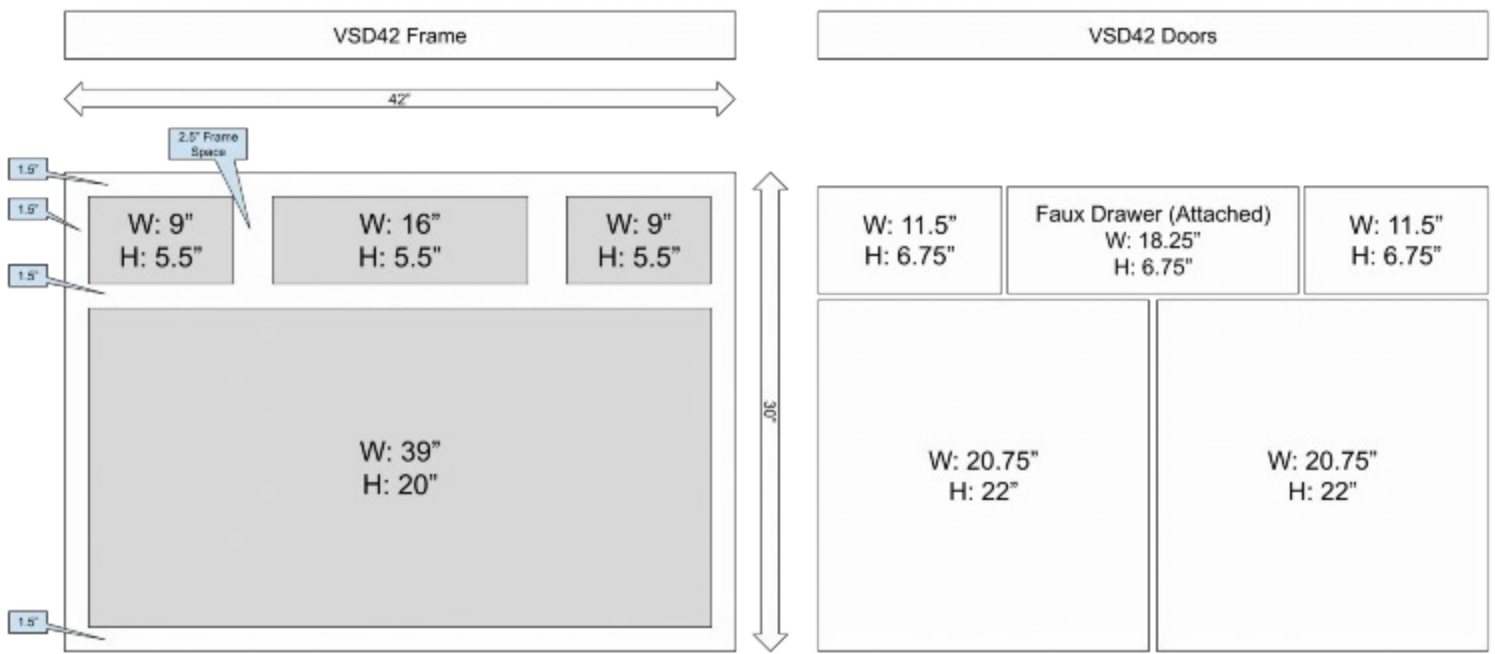
# Vanity Cabinets- 42" Console Vanity



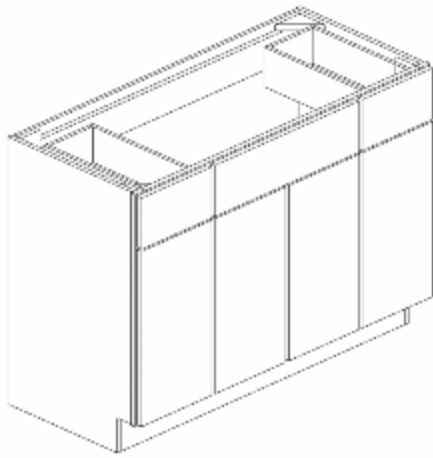
SKU	W	H	D
VSD42	42"	34.5"	21"

### Available Modifications

- Reduce depth - 1/2" increments to 15"
- Reduce toe kick height- 1/2" increments to 0"
- Void top drawer
- Ship doors loose



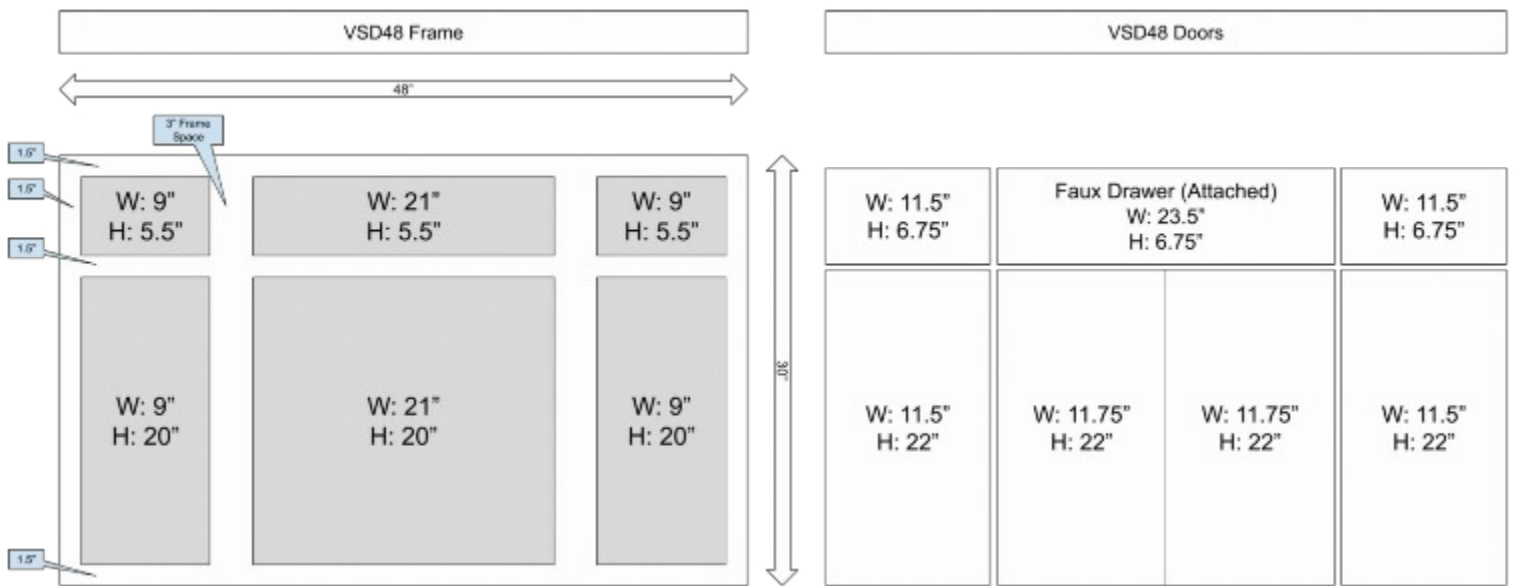
# Vanity Cabinets- 48" Console Vanity



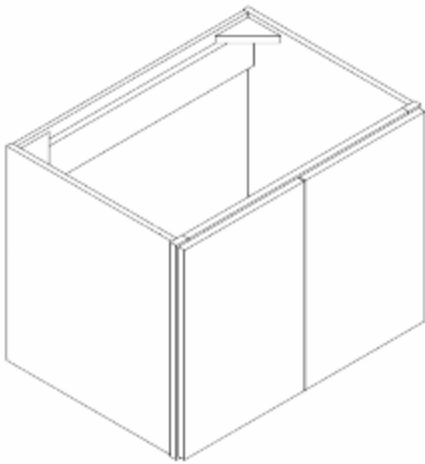
SKU	W	H	D
VSD48	48"	34.5"	21"

### Available Modifications

- Reduce depth - 1/2" increments to 15"
- Reduce toe kick height- 1/2" increments to 0"
- Void top drawer
- Ship doors loose



# Vanity Cabinets- Hanging Sink Base



SKU	W	H	D
VHSB24	24"	22.75"	21"
VHSB30	30"	22.75"	21"
VHSB36	36"	22.75"	21"

### Available Modifications

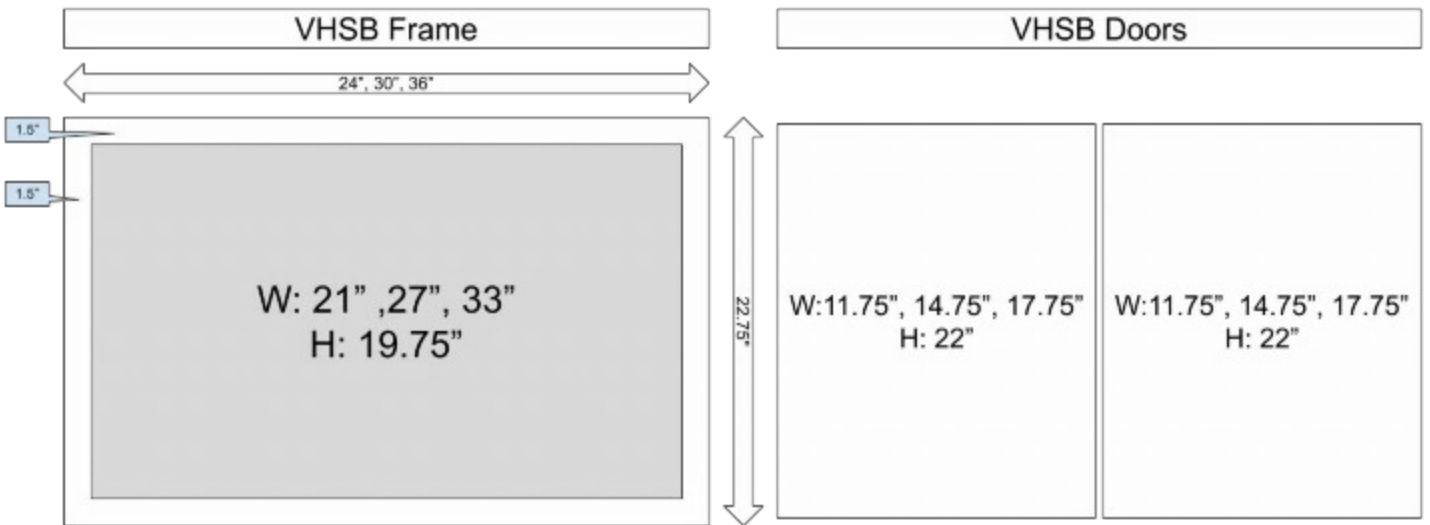
- Reduce depth - 1/2" increments to 6"
- Ship doors loose

### Notes

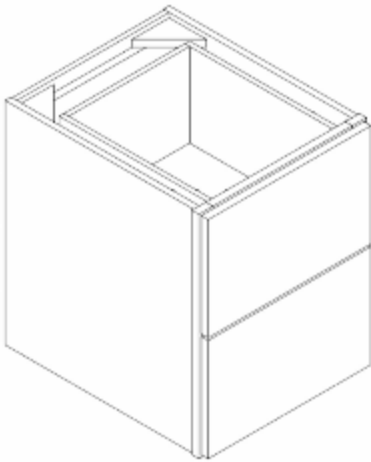
- You must install these cabinets attached to a stud. It is highly recommended to use support under the cabinet to avoid damage.

### Special Availability

- These SKUS are only available at select locations.
- Availability may vary by style and color.
- Please check your local portal for availability.



# Vanity Cabinets- Hanging 2 Drawer Bank



SKU	W	H	D
VHDB12	12"	22.75"	21"
VHDB15	15"	22.75"	21"
VHDB18	18"	22.75"	21"
VHDB24	24"	22.75"	21"

### Available Modifications

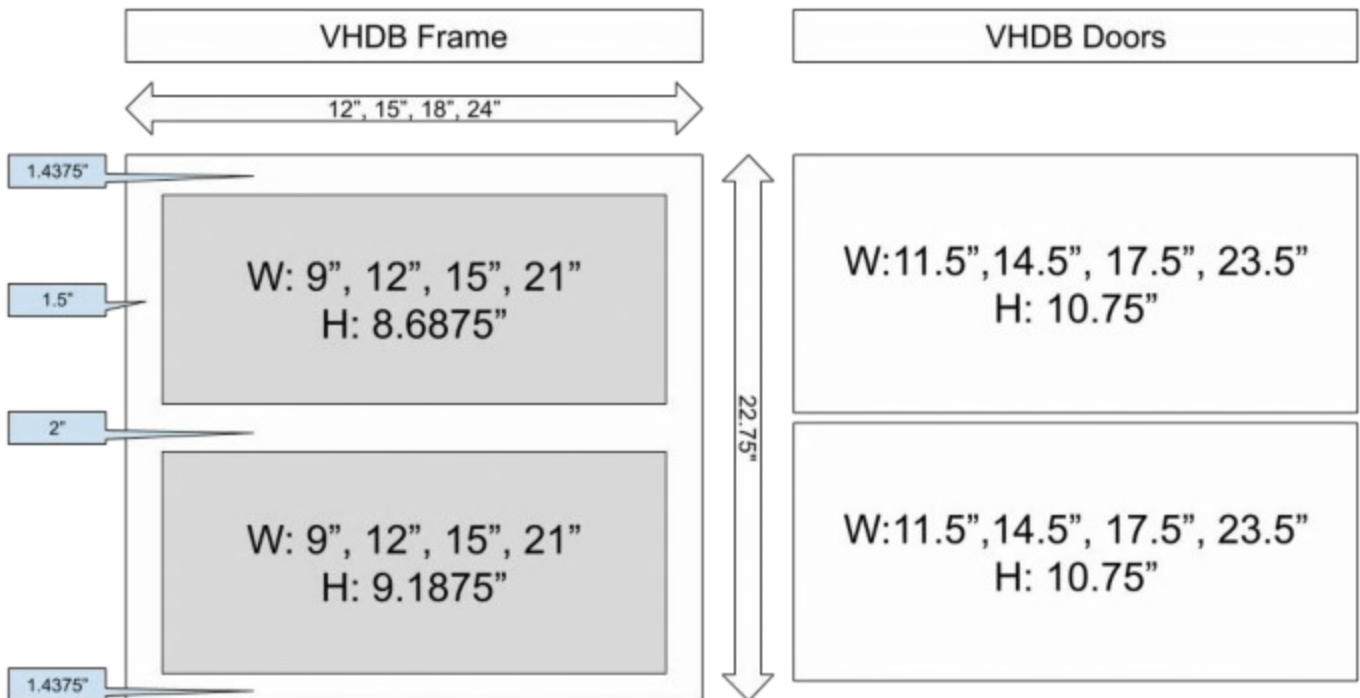
- Reduce depth - 1/2" increments to 15"
- Void top drawer

### Notes

- You must install these cabinets attached to a stud. It is highly recommended to use support under the cabinet to avoid damage.

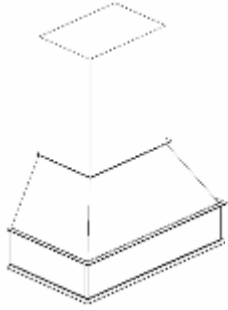
### Special Availability

- These SKUS are only available at select locations.
- Availability may vary by style and color.
- Please check your local portal for availability.

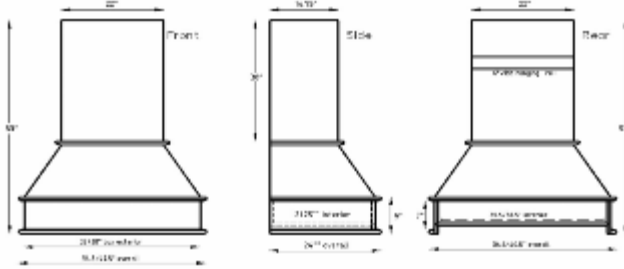


# **SPECIAL ORDER ITEMS**

## Special Order - Chimney Hood



SKU	W	H	D
CH36	34.5"	53"	24"
CH42	40.5"	53"	24"



### Available Modifications

- n/a

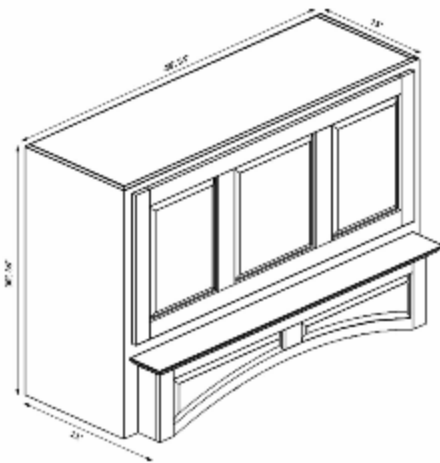
### Notes

- Does not come with a liner. A liner must be purchased separate.
- Ships in 2 boxes. 1 box for the hood section, 1 box for the chimney section.
- CH36 Interior Dimensions: 30.75" wide, 21.5" deep, 8" high
- CH42 Interior Dimensions: 36.75" wide, 21.5" deep, 8" high

### Special Availability

- These SKUS are only available at select locations.
- Availability may vary by style and color.
- Please check your local portal for availability.

## Special Order - Arched Hood



SKU	W	H	D
RHA4830	48"	30"	21"
RHA4836	48"	36"	21"
RHA5430	54"	30"	21"
RHA5436	54"	36"	21"

### Available Modifications

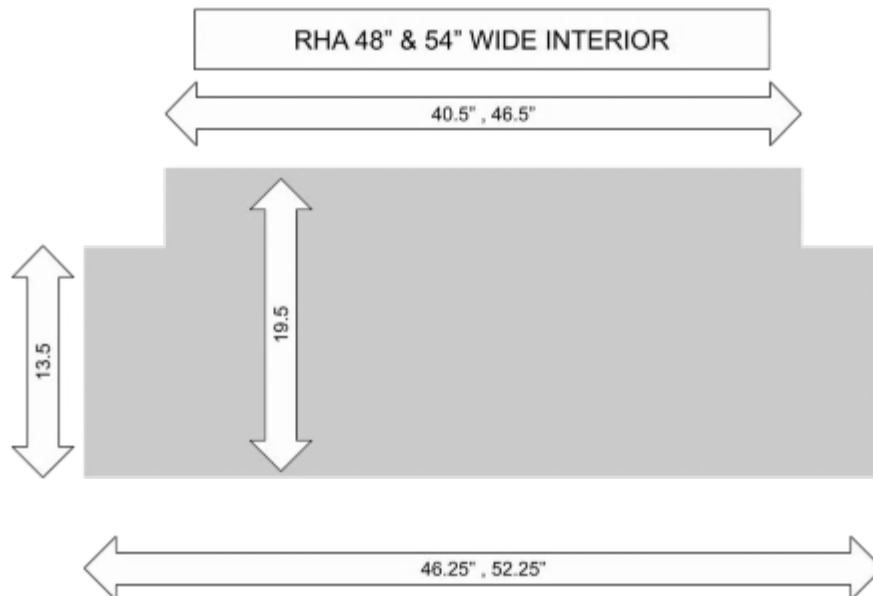
- n/a

### Notes

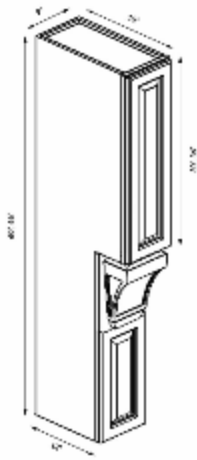
- Does not come with a liner. A liner must be purchased separate.
- Interior Dimensions

### Special Availability

- These SKUS are only available at select locations.
- Availability may vary by style and color.
- Please check your local portal for availability.



# Special Order - Spice Rack Pull Out



SKU	W	H	D
HSR0960	09"	60"	18"
HSR0966	09"	66"	18"

## Available Modifications

- Prep door for glass
- Ship door loose

## Notes

- Lower section is a 30" high three-tiered pull out spice rack.
- Pull Out section is not soft closing. Has side mount ball bearing glides.

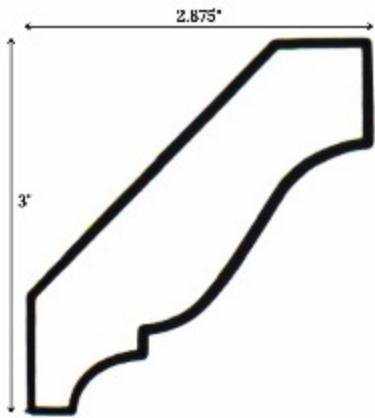
## Special Availability

- These SKUS are only available at select locations.
- Availability may vary by style and color.
- Please check your local portal for availability.



# ACCESSORIES

## Accessories- Standard Crown Molding

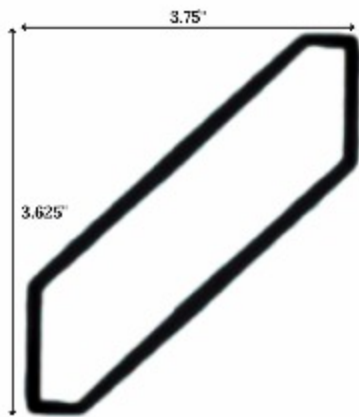


SKU	W	H	D
CM-4	2.875"	3"	96"

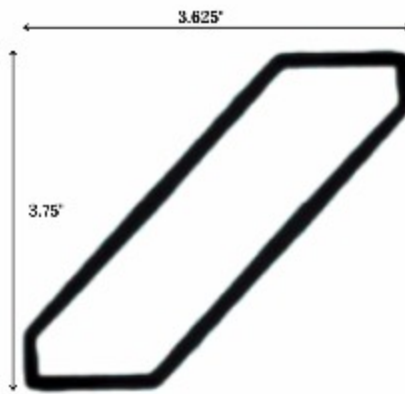
### Available Modifications

- n/a

## Accessories- Modern Crown Molding



Layout A



Layout B

### Available Modifications

- n/a

### Notes

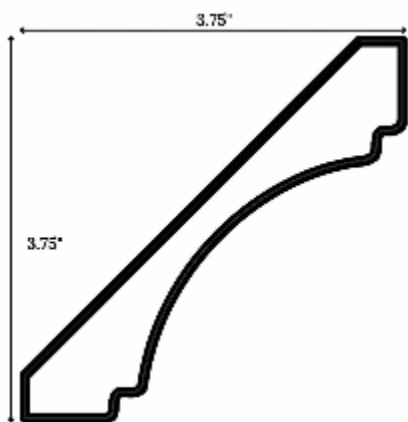
- Can be installed 2 different ways shown here.

### Special Availability

- Availability may vary by style and color.
- Please check your local portal for availability.

SKU	W	H	D
CMM-4 Layout A	3.75"	3.625"	96"
CMM-4 Layout B	3.625"	3.75"	96"

## Accessories- Furniture Crown Molding



SKU	W	H	D
FCM	3.75"	3.75"	96"

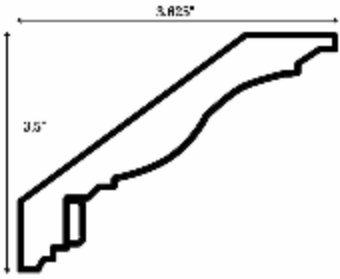
### Available Modifications

- n/a

### Special Availability

- Availability may vary by style and color.
- Please check your local portal for availability.

## Accessories- Dentil Crown Molding



SKU	W	H	D
DCM	3.625"	3.5"	96"

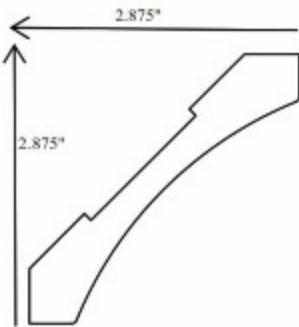
### Available Modifications

- n/a

### Special Availability

- Availability may vary by style and color.
- Please check your local portal for availability.

## Accessories- Cove Molding

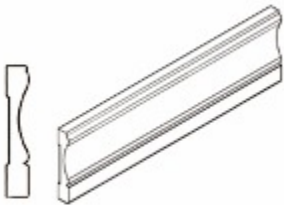


SKU	W	H	D
CVM-3	.75"	2.875"	96"

### Available Modifications

- n/a

## Accessories- Furniture Base Molding



SKU	W	H	D
FBM8	.75"	4.5"	96"

### Available Modifications

- n/a

## Accessories- Ogee Base Molding



SKU	W	H	D
OBM8	.75"	6"	96"

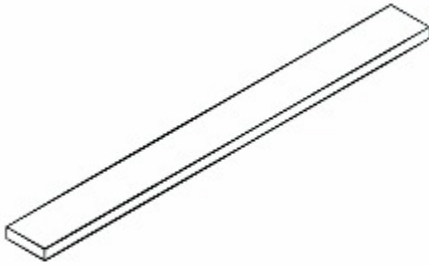
### Available Modifications

- n/a

### Special Availability

- Availability may vary by style and color.
- Please check your local portal for availability.

## Accessories- Fillers



SKU	W	H	D
WF330	3"	30"	.75"
WF336	3"	36"	.75"
WF342	3"	42"	.75"
WF630	6"	30"	.75"
WF636	6"	36"	.75"
WF642	6"	42"	.75"
TF396	3"	96"	.75"
TF696	6"	96"	.75"
TF1.596*	1.5"	96"	.75"

### Available Modifications

- n/a

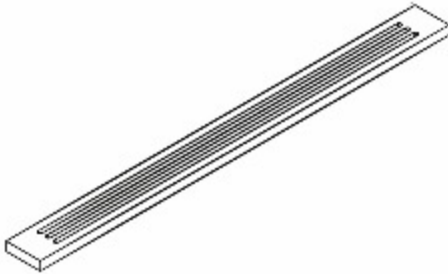
### Notes

- Finished on all edges.
- Finished on 1 large face.
- Backside has color, but is not considered a finished side.
- Backside may or may not have small holes from hangers when they are being finished.
- WF330 is to be used as a base filler

### Special Availability - TF1.596\*

- Availability may vary by style and color.
- Please check your local portal for availability.

## Accessories- Fluted Fillers



SKU	W	H	D
FF330	3"	30"	.75"
FF336	3"	36"	.75"
FF342	3"	42"	.75"
FF396	3"	96"	.75"

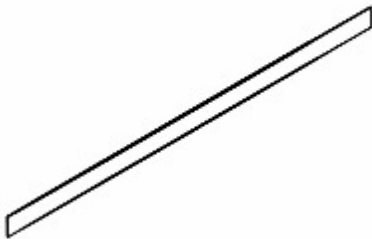
### Available Modifications

- n/a

### Notes

- Finished on all edges.
- Finished on 1 large face.
- Backside has color, but is not considered a finished side.
- Backside may or may not have small holes from hangers when they are being finished.
- FF330 is to be used as a base fluted filler

## Accessories- Toe Kick Cover

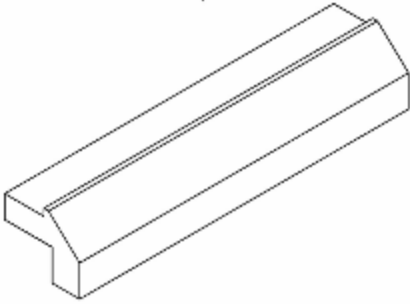


SKU	W	H	D
TK96	96"	4.5"	0.25"

### Available Modifications

- n/a

## Accessories- Light Rail A



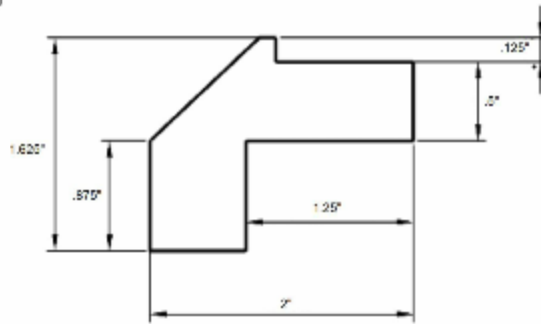
SKU	W	H	D
LBMF	2"	1.625"	96"

### Available Modifications

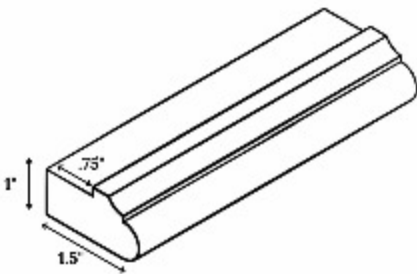
- n/a

### Special Availability

- Availability may vary by style and color.
- Please check your local portal for availability.



## Accessories- Light Rail B

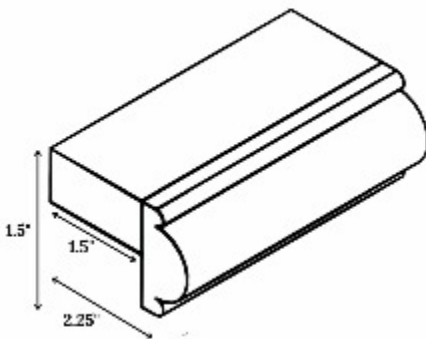


SKU	W	H	D
LVP	1.5"	1"	96"

### Available Modifications

- n/a

## Accessories- Light Rail C



SKU	W	H	D
LVB	2.25"	1.5"	96"

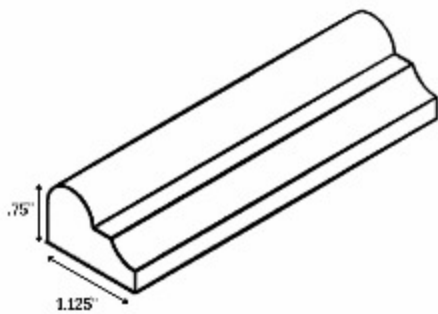
### Available Modifications

- n/a

### Special Availability

- Availability may vary by style and color.
- Please check your local portal for availability.

## Accessories- Chair Rail Molding



SKU	W	H	D
CR	.75"	1.125"	96"

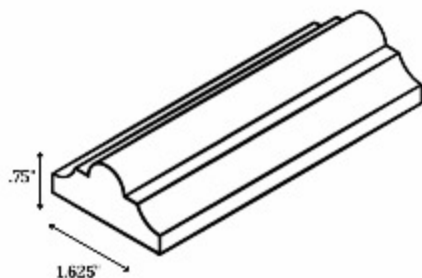
### Available Modifications

- n/a

### Special Availability

- Availability may vary by style and color.
- Please check your local portal for availability.

## Accessories- Furniture Molding



SKU	W	H	D
FSM	.75"	1.625"	96"

### Available Modifications

- n/a

## Accessories- Scribe Molding



SKU	W	H	D
SC	.25"	.75"	96"

### Available Modifications

- n/a

## Accessories- Batten Molding



SKU	W	H	D
BAM	.25"	.75"	96"

### Available Modifications

- n/a

## Accessories- Outside Corner Molding

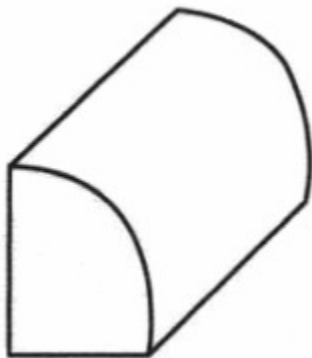


SKU	W	H	D
OCL	.75"	.75"	96"

### Available Modifications

- n/a

## Accessories- Quarter Round Molding



SKU	W	H	D
QR	.75"	.75"	96"

### Available Modifications

- n/a

## Accessories- Arch Panel Valance



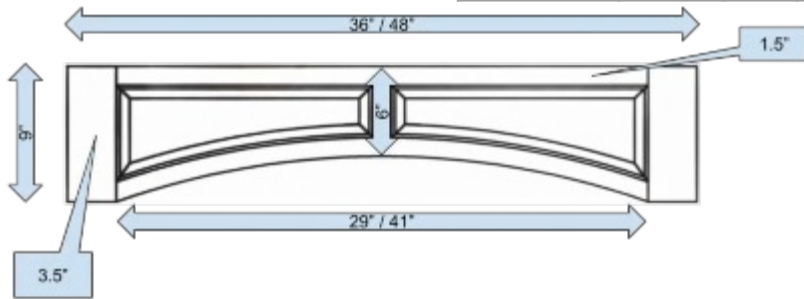
SKU	W	H	D
AVAL36	36"	9"	.75"
AVAL48	48"	9"	.75"

### Available Modifications

- n/a

### Special Availability

- Availability may vary by style and color.
- Please check your local portal for availability.



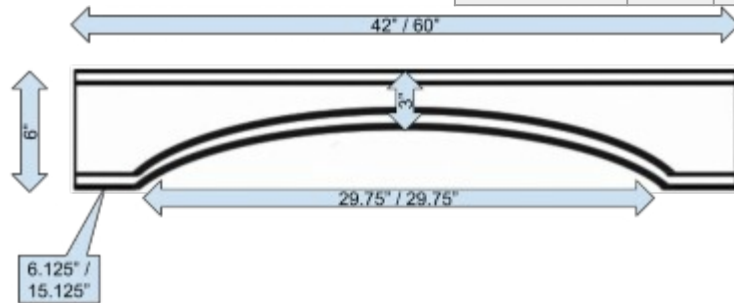
## Accessories- Beaded Valance



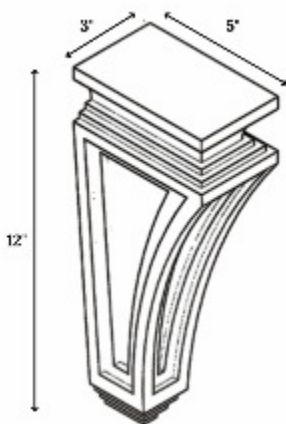
SKU	W	H	D
GBVAL42	42"	6"	.75"
GBVAL60	60"	6"	.75"

### Available Modifications

- n/a



## Accessories- Corbel



SKU	W	H	D
CSS	3"	12"	5"

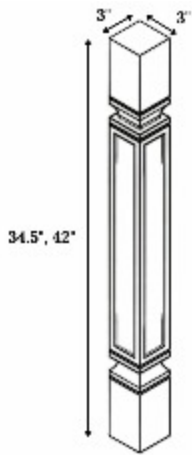
### Available Modifications

- n/a

### Special Availability

- Availability may vary by style and color.
- Please check your local portal for availability.

## Accessories- Structural Post



SKU	W	H	D
SP34.5	3"	34.5"	3"
SP42	3"	42"	3"

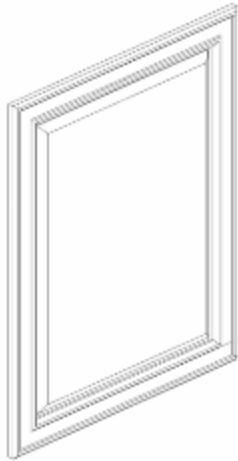
### Available Modifications

- n/a

### Special Availability

- Availability may vary by style and color.
- Please check your local portal for availability.

## Accessories- Decorative Door



SKU	W	H	D
WDD1230	11.5"	28.9375"	.75"
WDD1236	11.5"	34.9375"	.75"
WDD1242	11.5"	40.9375"	.75"
BDD23.5X30	23.5"	29.25"	.75"
BDD23.5X25.5	23.5"	25.5"	.75"

### Available Modifications

- n/a

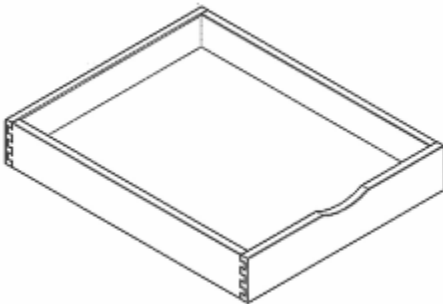
### Notes

- Decorative doors do not come bored for hinges.
- You can also purchase a "Door & Frame" only from most cabinets and use the door as a decorative door.

Example 1- to cover the side of a 36" deep island, you can purchase a W3630 Door & Frame and use the doors.

Example 2- To cover the side of a pantry or oven cabinets, you can purchase a TP248424, TP249024, or TP249624 Door & Frame and use the doors.

## Accessories- Roll Out Tray



SKU	W	H	D
BOX-ROT15	11"	4.5"	21"
BOX-ROT18	14"	4.5"	21"
BOX-ROT21	17"	4.5"	21"
BOX-ROT24	20"	4.5"	21"
BOX-ROT27*	23"	4.5"	21"
BOX-ROT30	26"	4.5"	21"
BOX-ROT33*	29"	4.5"	21"
BOX-ROT36	32"	4.5"	21"

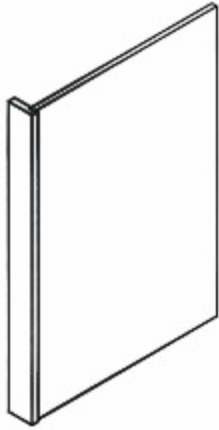
### Available Modifications

- Reduce depth - 1/2" increments to 15"

### Special Availability- ROT27\*, ROT33\*

- Please check your local portal for availability.

## Accessories- End Panel



SKU	W	H	D
BEP3	3"	34.5"	24"
REP1.5*	1.5"	96"	24"
REP3	3"	96"	24"

### Available Modifications

- n/a

### Notes

- Does not come assembled. You must attach the filler to the panel in the field with included L brackets.

### Special Availability- REP1.5\*

- When ordering REP1.596 KIT it'll include REP396 with additional 1½" filler to create REP1.596
- Availability may vary by style and color.
- Please check your local portal for availability.

## Accessories- Finished End Skins



SKU	W	H	D
WS1230	11.25"	30"	.25"
WS1236	11.25"	36"	.25"
WS1242	11.25"	42"	.25"
BS24	23.25"	34.5"	.25"
TS2496	23.25"	96"	.25"

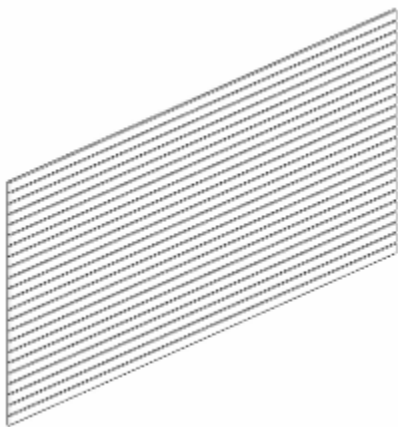
### Available Modifications

- n/a

### Notes

- Can be ordered loose or installed on cabinets.

## Accessories- Beaded Panel



SKU	W	H	D
BBP4896.25	48"	96"	.25"

### Available Modifications

- n/a

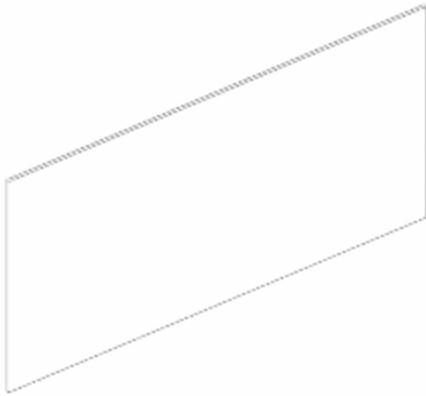
### Notes

- Bead design runs the long 96" direction.

### Special Availability

- Availability may vary by style and color.
- Please check your local portal for availability.

## Accessories- 1/4" Finished Panel



SKU	W	H	D
BP4896.25	48"	96"	.25"

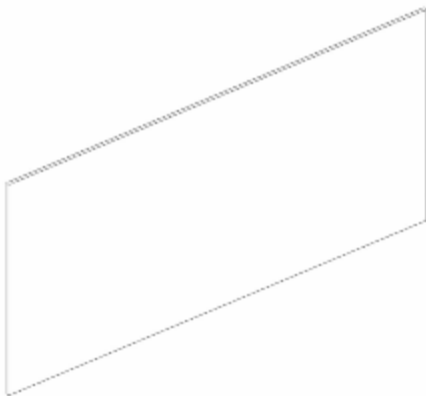
### Available Modifications

- n/a

### Notes

- Backside of panel is not finished

## Accessories- 3/4" Finished Panel



SKU	W	H	D
BP2496.75	24"	96"	.75"
BP4896.75	48"	96"	.75"

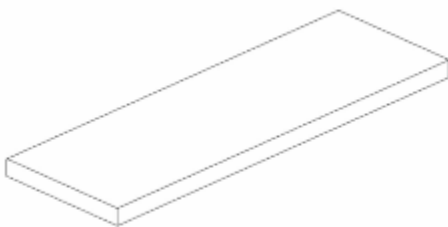
### Available Modifications

- n/a

### Notes

- Both front and back are finished
- All edges are finished

## Accessories- Custom Size shelf



SKU	W	H	D
SHELFCUST	n/a	n/a	n/a
SHELFCUSTFI	n/a	n/a	n/a

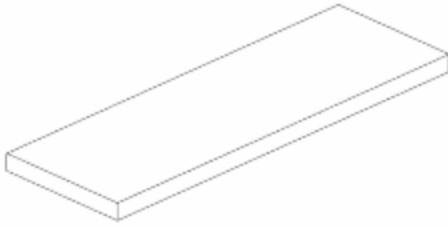
### Available Modifications

- n/a

### Notes

- Replacement shelf for modified cabinets.
- Use SHELFCUST for standard interior cabinets.
- Use SHELFCUSTFI for finished interior cabinets.
- Would not be available in BAE, WAE, WSC, and BER
- Specify dimensions in notes.

## Accessories- Wall Cabinet 12” Deep Shelf



SKU	W	H	D
SHELFW09	7.25"	.75"	10"
SHELFW12	10.25"	.75"	10"
SHELFW15	13.25"	.75"	10"
SHELFW18	16.25"	.75"	10"
SHELFW21	19.25"	.75"	10"
SHELFW24	22.25"	.75"	10"
SHELFW27	25.25"	.75"	10"
SHELFW30	28.25"	.75"	10"
SHELFW33	31.25"	.75"	10"
SHELFW36	34.25"	.75"	10"
SHELFW39	37.25"	.75"	10"
SHELFW42	40.25"	.75"	10"

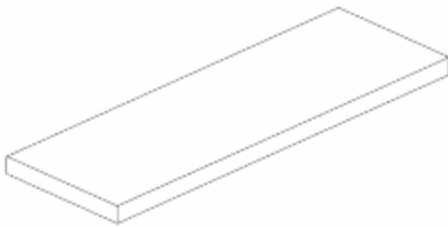
### Available Modifications

- n/a

### Notes

- Replacement shelf for standard 12" deep wall cabinets.
- Edge banded on front leading edge.
- SHELFW30 can also be used for WBC30 cabinets.
- SHELFW36 can also be used for WBC36 cabinets.
- All dimensions are +/- 1/16"

## Accessories- Wall Cabinet 24” Deep Shelf



SKU	W	H	D
SHELFW36-24	34.25"	.75"	21"

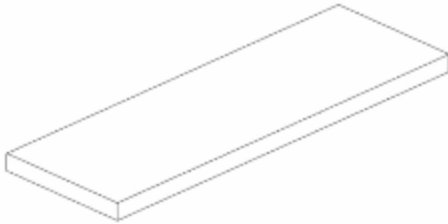
### Available Modifications

- n/a

### Notes

- Replacement shelf for W362424
- Edge banded on front leading edge.
- All dimensions are +/- 1/16"

## Accessories- Base Cabinet Shelf



SKU	W	H	D
SHELFB09	7.25"	.75"	15.5"
SHELFB12	10.25"	.75"	15.5"
SHELFB15	13.25"	.75"	15.5"
SHELFB18	16.25"	.75"	15.5"
SHELFB21	19.25"	.75"	15.5"
SHELFB24	22.25"	.75"	15.5"
SHELFB27	25.25"	.75"	15.5"
SHELFB30	28.25"	.75"	15.5"
SHELFB33	31.25"	.75"	15.5"
SHELFB36	34.25"	.75"	15.5"
SHELFB39	37.25"	.75"	15.5"
SHELFB42	40.25"	.75"	15.5"

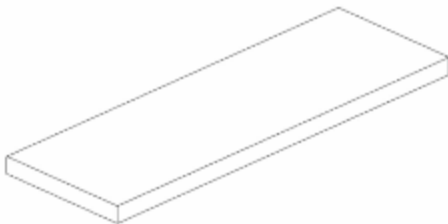
### Available Modifications

- n/a

### Notes

- Replacement shelf for standard depth base cabinets.
- Edge banded on front leading edge.
- SHELFB39 can also be used for BLB39/42 cabinets.
- SHELFB42 can also be used for BLB42/45 cabinets.
- All dimensions are +/- 1/16"

## Accessories- Tall Pantry & Oven Cabinet Shelf



SKU	W	H	D
SHELFTP18	16.25"	.75"	21"
SHELFTP24	22.25"	.75"	21"
SHELFTP30	28.25"	.75"	21"
SHELFOC33	31.25"	.75"	21"

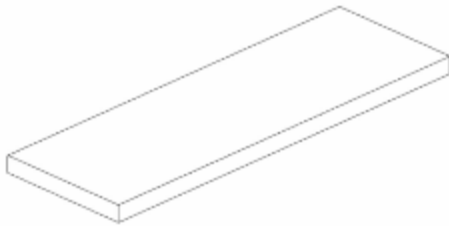
### Available Modifications

- n/a

### Notes

- Replacement shelf for a standard depth tall pantry or oven cabinet.
- Edge banded on front leading edge.
- All dimensions are +/- 1/16"

## Accessories- Wall Diagonal Corner Shelf



SKU	W	H	D
SHELFWDC24	n/a	.75"	n/a
SHELFWDC27-15	n/a	.75	n/a

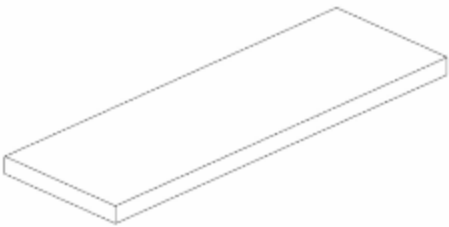
### Available Modifications

- n/a

### Notes

- Replacement shelf for WDC cabinets.
- Edge banded on front leading edge.
- Use SHELFWDC24 for all standard 12" depth WDC cabinets.
- Use SHELFWDC27-15 for all 15" deep WDC cabinets.
- All dimensions are +/- 1/16"

## Accessories- Vanity Base Shelf



SKU	W	H	D
SHELFVB12	10.25"	.75"	12.5"
SHELFVB15	13.25"	.75"	12.5"

### Available Modifications

- n/a

### Notes

- Replacement shelf for VB12 and VB15 cabinets.
- Edge banded on front leading edge.
- All dimensions are +/- 1/16"

## Accessories- Metal L Bracket



SKU	W	H	D
L BRACKET	n/a	n/a	n/a

### Available Modifications

- n/a

### Notes

- Replacement metal L bracket.
- Sold individually.

## Accessories- Shelf Bracket



SKU	W	H	D
SHELFBRACKET	n/a	n/a	n/a

### Available Modifications

- n/a

### Notes

- Replacement shelf bracket
- Sold individually

## Accessories- Door Bumper



SKU	W	H	D
DOORBUMPERS	n/a	n/a	n/a

### Available Modifications

- n/a

### Notes

- Replacement door bumpers.
- Sold in sheets of 50
- Style may vary slightly from picture, but will function the same.

## Accessories- Magnet



SKU	W	H	D
MAGNET	n/a	n/a	n/a

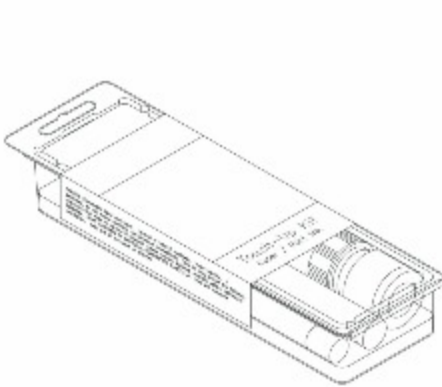
### Available Modifications

- n/a

### Notes

- Replacement magnet for LSB, BER, and WSC cabinets.
- Style may vary slightly from picture, but will function the same.

## Accessories- Touch Up Kit



SKU	W	H	D
TOUCH UP KIT	n/a	n/a	n/a

### Available Modifications

- n/a

### Notes

- Includes 1 marker and 1 wax fill stick
- Color may not match exactly to cabinet color due to various finishing conditions and environmental conditions.
- Touch up kits are not intended for finishing large areas. They are intended for touching up small scratches, filling nail holes, or coloring molding edges.
- Paint codes are not available. To obtain a similar paint color, bring a door sample to your local Sherwin Williams and have them use their spectrophotometer to analyze the door and provide the closest match paint color available.

## Accessories- Touch Up Spray Paint



SKU	W	H	D
SPRAY PAINT	n/a	n/a	n/a

### Available Modifications

- n/a

### Notes

- 12 oz can
- Color may not match exactly to cabinet color due to various finishing conditions and environmental conditions.

## Accessories- Standard Base,Wall, and Tall Hinge



SKU	W	H	D
HINGESTD	n/a	n/a	n/a

### Available Modifications

- n/a

### Notes

- Replacement hinge for standard base, wall, and tall cabinets.
- Soft closing
- Internal soft close mechanism may vary from picture.
- Sold individually.

## Accessories- Lazy Susan & Wall Square Corner Hinges



HINGELSBA

SKU	W	H	D
HINGELSBA	n/a	n/a	n/a
HINGELSBB	n/a	n/a	n/a

### Available Modifications

- n/a

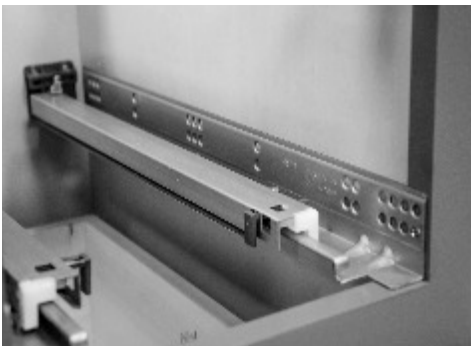
### Notes

- HINGELSBA is the hinge that connects the door to the box.
- HINGELSBB is the hinge that connects to 2 doors to each other.
- Can be used for LSB33, LSB36, BER36, WSC2430, WSC2436, WSC2442
- Sold individually.



HINGELSBB

## Accessories- Undermount Drawer Glides



SKU	W	H	D
UDGLIDE15	n/a	n/a	15"
UDGLIDE18	n/a	n/a	18"
UDGLIDE21	n/a	n/a	21"
UDGLIDE24	n/a	n/a	24"

### Available Modifications

- n/a

### Notes

- Depth shown equals depth of cabinet.
- Sold in pairs.
- Includes rear mounting bracket.
- Actual slide may vary slightly in appearance from image shown.
- Standard 24" deep cabinets use UDGLIDE24.
- If your cabinet has a depth between the available sizes, use the next smallest size.

Example - B12 that is 19" deep would use UDGLIDE18

Example- B12 that is 17" deep would use UDGLIDE15

## Accessories- Side Mount Drawer Glides



SKU	W	H	D
SMGLIDE15	n/a	n/a	15"
SMGLIDE18	n/a	n/a	18"
SMGLIDE21	n/a	n/a	21"
SMGLIDE24	n/a	n/a	24"

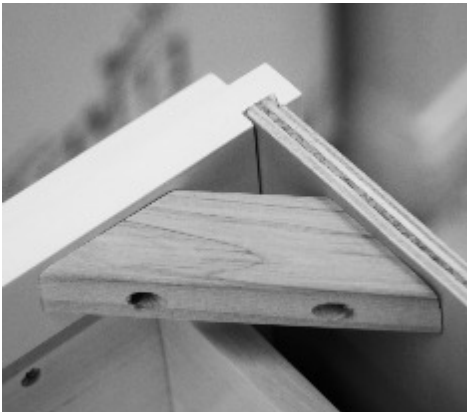
### Available Modifications

- n/a

### Notes

- Depth shown equals depth of cabinet.
- Sold in pairs.
- Includes rear mounting bracket.
- Actual slide may vary slightly in appearance from image shown.
- If your cabinet has a depth between the available sizes, use the next smallest size.
- For ROT's, BWB18's, and B09SP use SMGLIDE24
- Not soft closing.

## Accessories- Wood Corner Block



SKU	W	H	D
CORNERBLOCK	n/a	n/a	n/a

### Available Modifications

- n/a

### Notes

- Replacement wood corner block.
- Sold individually.

# MODIFICATIONS

## Prep Door For Glass

- On most cabinet doors we can remove the center panel and prepare the door to accept a glass panel
- Must specify which door or doors
- Glass is sold separately

## Finished Interior Wall and Base Full-Height

- Most tall cabinets can have a finished interior.
- Top, back, sides and shelves will be finished to match the door finish

## Increase Depth Wall

- Most wall cabinets can be increased in depth
- Specify your overall depth to front of face frame
- Maximum depth is 30"
- Done in ½" increments

## Increase Depth Tall

- Most tall cabinets can be increased in depth
- Specify your overall depth to front of face frame
- Maximum depth is 30"
- Done in ½" increments

## Reduce Depth Base

- Most base cabinets can be reduced in depth
- Specify your overall depth to the front of face frame
- Modified drawer boxes will not have dovetail joints at the back of the drawer
- Minimum overall depth is 15"
- Done in ½" increments

### NOTE:

When reducing depth on a base cabinet with a drawer, functional drawers are only available in 24", 21", 18", and 15" depths otherwise the drawer will be voided.

## Reduce Depth Full Height Base

- Specify your overall depth to the front of face frame
- Minimum overall depth is 6"
- Done in ½" Increments

## Reduce Depth Drawers

- Most drawer base can be reduced in depth
- Specify your overall depth to the front of face frame
- Modified drawer boxes will not have dovetail joints at the back of the drawer
- Minimum overall depth is 15"
- Done in ½" increments

## Reduce Depth Wall

- Most wall cabinets can be reduced in depth
- Specify your overall depth to front of face frame
- Minimum overall depth is 4"
- Done in ½" increments

## Reduce Depth Tall

- Most tall cabinets can be reduced in depth
- Specify your overall depth to front of face frame
- Minimum overall depth is 6"
- Done in ½" increments

## Cut Toe Kick

- All base cabinets with toe kick can be cut down to 0" from 4½"
- Done in ½" increments

## Apply Finish Skin

- Must specify right, left, or both ends
- Skins are designed to fit behind back of face frame and flush with top and bottom of cabinet

## Make Bench Cabinet

- Factory removed top two drawers on 3DB and top drawer on 2DB cabinets
- Finished cabinet single drawer height for 3DB = 17¼" and 2DB = 21⅛"
- Top reveal of the bench cabinet is 2".

## Void Blind

- ¼" panel applied on the blind opening

## Void Top Drawer

- Factory removed top drawer and drawer front re-attached to face frame
- Drawer fronts attached similar to a sink base
- Drawer front can also be shipped loose

## Ship Door Loose

- Doors will not be attached to the cabinet

## **WARRANTY**

("We" or "Us") warrants to the first Residential Purchaser ("You" or "Your") a Five-Year Limited Warranty that warrants any product manufactured by Us and sold only in the United States to be free from any unnatural or unavoidable defects under normal residential usage. This warranty is effective for cabinetry purchases on or after January 1st, 2025.

### **Who Is A Residential Purchaser?**

Under this limited warranty, a "Residential Purchaser" means any of the following: A person who purchases Product and is installed in a dwelling that is owned and used as a primary or secondary home. A person or business (Builder/Contractor/Developer) that purchases product and is installed in a dwelling by that person or business on behalf of the Owner of the dwelling. In such case, this Limited Warranty may be transferred to the Owner of the dwelling if used as a primary or secondary home by Owner.

### **What The Limited Warranty Covers:**

The following parts are covered by this warranty: Door Frames, Door & Drawer Fronts, Cabinet Shelves, Roll Out Trays, Base End Panels, Cabinet Doors, Drawer Glides, Shelving Clips, Cabinet Accessories (toe kick, molding, etc.), Cabinet Boxes. We may elect to repair, replace and/or modify, at our discretion, any component(s) which has/have been determined to be defective and unable to serve its/their intended purpose (under normal installation, condition and use) by Us.

### **What The Limited Warranty Does Not Cover:**

- Deterioration/discoloration due to normal use
- Natural color variations in stained cabinetry
- Damage caused from improper installation
- Replacement of cabinetry or cabinetry parts that have been used for purposes outdoors
- Replacement of cabinetry or cabinetry parts that have been altered or modified from their original purpose, misused, neglected and/or not well-maintained
- Damage during transit Labor costs associated with warranty claim (installation and/or removal)
- Transportation and/or installation of defective, repaired and/or replacement product(s)
- Service calls to retrieve the defective product(s) from You to Us
- Damage by causes outside of our control (flood, fire, or other acts of God)
- Cabinets installed in areas that are outside the recommended storage temperatures (50-85°F)

## **DISCLAIMER:**

### **WARPED DOORS**

Due to the natural characteristics, wood will expand and contract over time. Therefore, a small amount of warping can be expected. It is quite common for wood to return to its original form after acclimating to the environment. Doors warped up to a ¼" are not considered to be defective. Moldings and panels warped up to 2" are not considered to be defective. Doors must be hung for at least three months in order to acclimate to the environment before a warranty claim may be filed. In many cases, doors that appear to be warped are the result of improper adjustment.

### **GLAZED FINISHES**

Glazed finishes are applied by hand and are designed to have an uneven finish. It is common for some edges to appear heavier or lighter than others and this may vary door to door, drawer to drawer and item to item. These features are common and are not considered to be a defect.

### **JOINT SPLITS**

Before choosing a paint as your finish, it should be noted that joint splits are unavoidable on painted wood cabinets and are not a defect or a sign of poor quality. Because wood naturally expands and contracts with seasonal changes in temperature and humidity, there is movement at the seams of the cabinet doors and face frames that will look like the paint is "cracking" at the joints. Joint splits occur wherever there is a joint between pieces of wood with grain running in different directions. For example, the joints between stiles (vertical pieces) and rails (horizontal pieces) on mortise and tenon doors, miter joints, or the face frames that surround the door openings.

### **SHRINKAGE OF CENTER PANELS**

Center panels may undergo expansion and contraction as they adjust to temperature and atmospheric humidity. Therefore, defects cannot be determined until three months of settling time have passed. Once settling time has passed, you may file a warranty claim if shrinkage exceeds 1/8".

### **COLOR & GRAIN VARIANCES**

Due to natural characteristics found in wood, stained cabinets may vary in color, texture and grain. Varied shading in cabinetry stains are to be expected and are not considered a defect. Replacement parts may vary in their natural color variation from those which were originally supplied to You.

### **HINGES AND SLIDES**

Hardware failure is very uncommon amongst slides and hinges. Failure is very often the result of improper installation or adjustment. Replacement parts may vary from their original look or appearance. Before determining your hardware as defective, please review our installation and adjustment instructions.



